
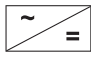






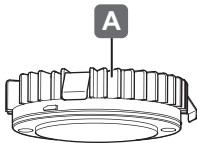
**LED 2092**  
**LED 3092**

**833.72.474**    **833.75.174**  
**833.72.475**    **833.75.175**  
**833.72.476**    **833.75.176**  
**833.72.477**    **833.75.177**

12 V System	24 V System	K	W	 mm	T <sub>A</sub>	
833.72.474	2700 K	3.4 W	Ø 61.2 x 15.6		-20 °C – +45 °C -4 °F – +113 °F	Loox <b>12 V</b>
833.72.475	3000 K					
833.72.476	4000 K					
833.72.477	5000 K					
833.75.174	2700 K					Loox <b>24 V</b>
833.75.175	3000 K					
833.75.176	4000 K					
833.75.177	5000 K					

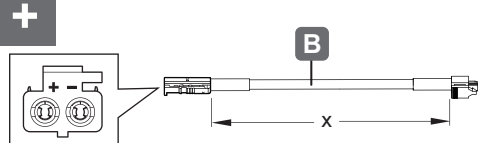
732.28.329



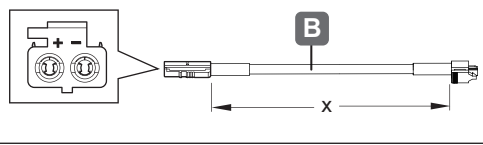
**A**

**+**



**B**

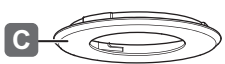
x	12V
1000	833.95.789
2000	833.95.788



**B**

x	24V
2000	833.95.791

**+**



**C**

833.72.126
833.72.380

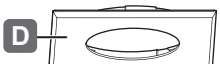
833.72.381

833.72.382

833.72.168

833.72.170

833.72.171



**D**

833.72.127
833.72.383


833.72.384

833.72.385

833.72.172

833.72.174

833.72.175



**F**

833.72.124
833.72.193

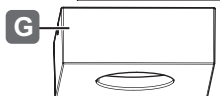
833.72.192

833.72.194

833.72.160

833.72.162

833.72.163



**G**

833.72.125
833.72.195


833.72.196

833.72.197


833.72.164

833.72.166

833.72.167

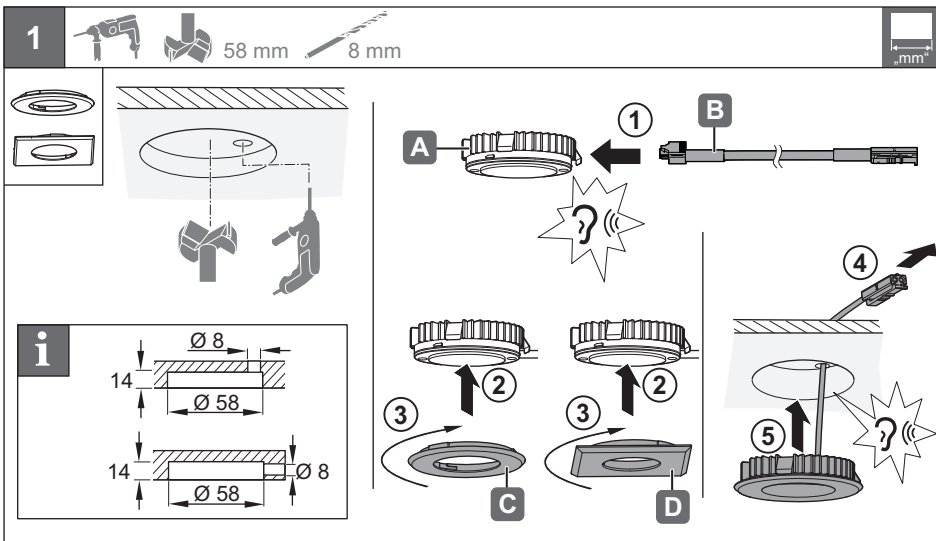
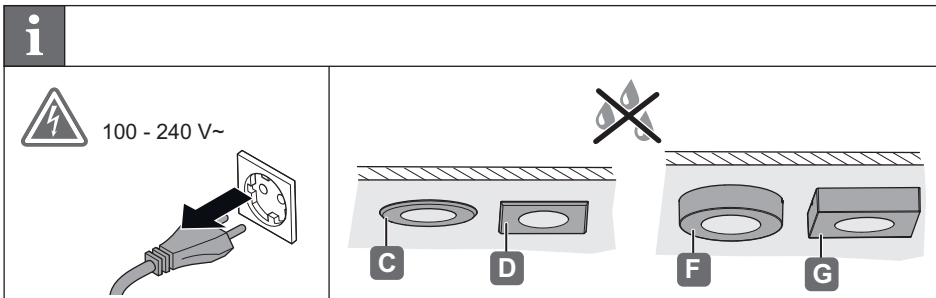


**E** 2x



**E** 2x

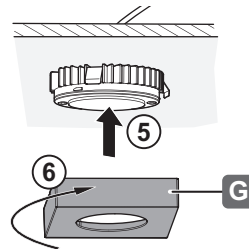
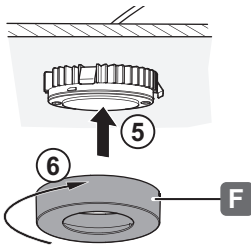
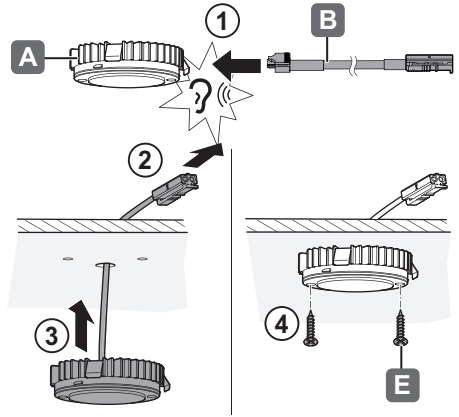
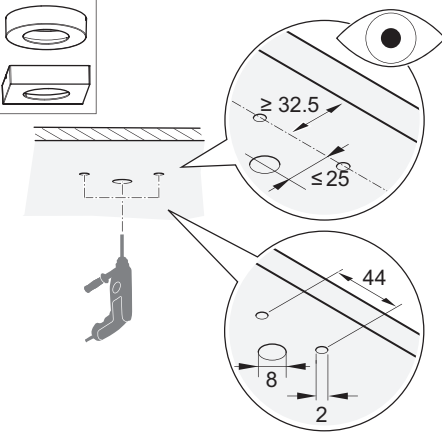
HDE 11.02.2019



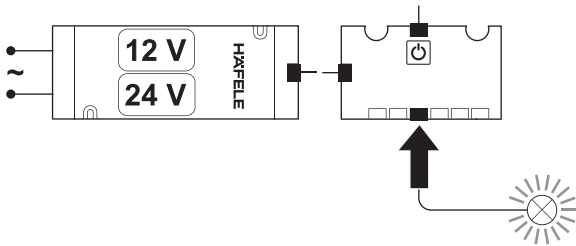
1



mm<sup>2</sup>



2



732.28.329

HDE 11.02.2019

732.28.329

HDE 11.02.2019