

INSTALLATION INSTRUCTIONS

CONTENT:

1. Important safety instructions
2. Specifications and main dimensions
3. Parts included
4. Control box
5. Installation
6. Adjusting the stroke length of the lift
7. Operation modes
8. RF/IR remote learning
9. Declarations of conformity



WARNING

WARNING: FAILURE TO COMPLY WITH OR OBSERVE ALL ASSEMBLY, SAFETY AND OPERATION INSTRUCTIONS AND WARNINGS REGARDING THE USE OF THIS PRODUCT MAY RESULT IN SERIOUS BODILY INJURY.

1. Important safety Instructions

CAUTION: Before you begin any of the Installation procedures (5. Installation.), read and follow the warnings and safety instructions on this page.

WARNING ! THIS IS NOT A TOY !

WARNING ! CHILDREN SHOULD NOT OPERATE LIFT !

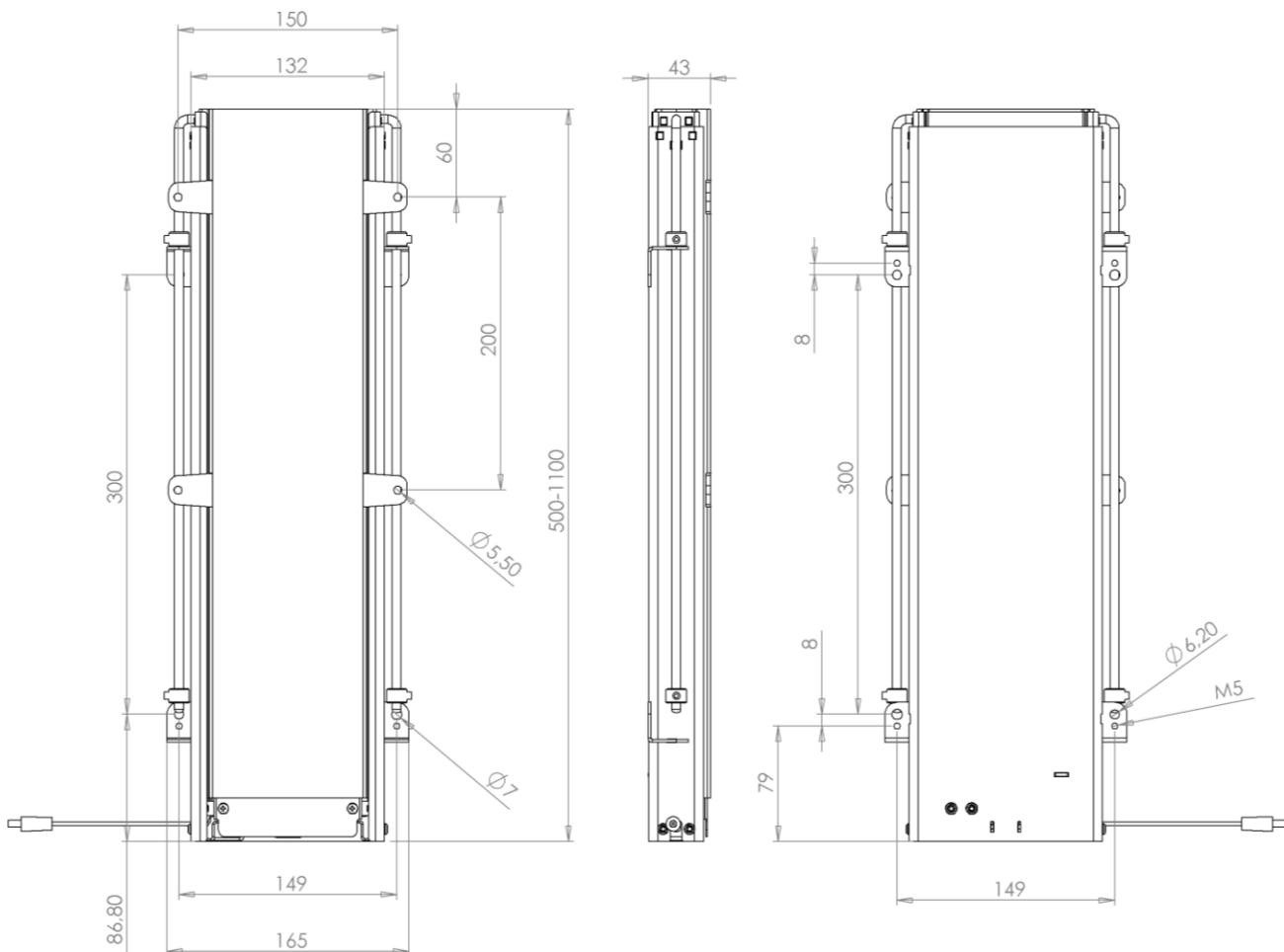
Use the following safety guidelines to help protect your lift from potential damage and to ensure your own personal safety.

- Read all the installation instructions before testing or installing your lift.
- Read and follow all safety instructions.
- Keep control switch out of reach of children.
- To prevent bodily injury keep hands and clothing away from the lift while the lift is in operation.
- Before installing the lift or working with its connections, unplug the lift from the electricity main supply.
- Do not install the lift or power supply in places subject to high temperatures for example near a radiator, or heating vent.
- The TV lift must only be mounted in a dry area and it must be ensured before use that the lift is safe or protected from liquid contact or spillage.
- To avoid damaging the power supply and power cord, do not put anything on it or place it where it could become damaged.
- Unplug the lift in the following conditions:
 - When the power cord or plug is damaged or frayed.
 - If the lift or power supply has been exposed to rain or water or any liquid contamination whatsoever.
 - If the lift exhibits a distinct change in performance, indicating a need for attention.
- Venset lifts are sold as a component to combine with other products, eg. With a flat screen television on it's own or combined with a cabinet, both examples would be common usage. It is the responsibility of the installer of the lift to decide if the lift is suitable for their purpose and for any safety aspects concerning their overall product and installation.

2. Specifications and main dimensions

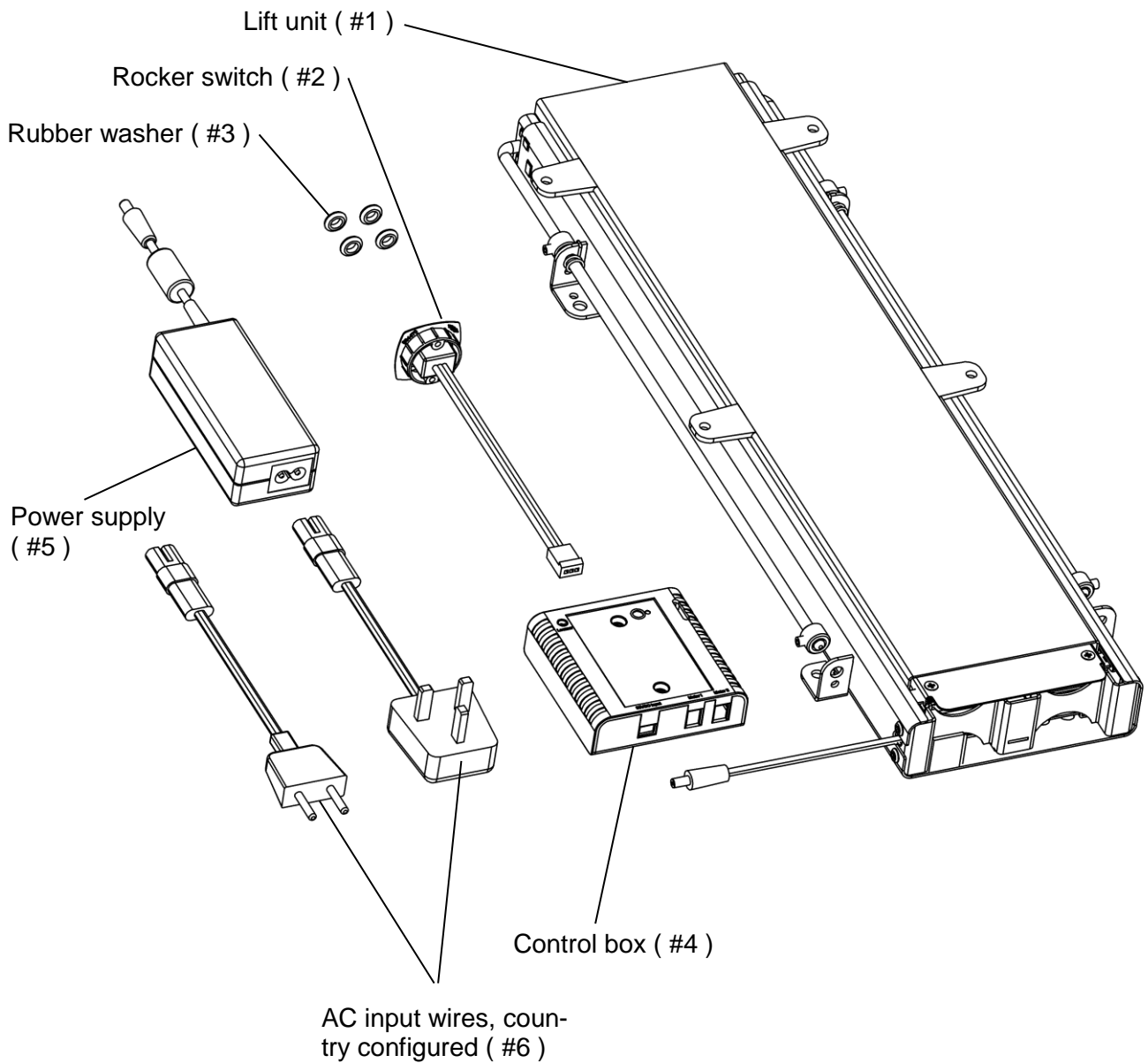
Materials and weights:	Steel, black powder coated - Weight ~ 6,2 kg
Max. working loads:	12 kg (by standard installation) 15 kg peak load
Duty cycle:	10% by 50% of working load or max 2 min. continuously
Operation:	Rocker switch
Voltage:	100-240 VAC / 50/60Hz

Main dimensions, TS600B [mm]:

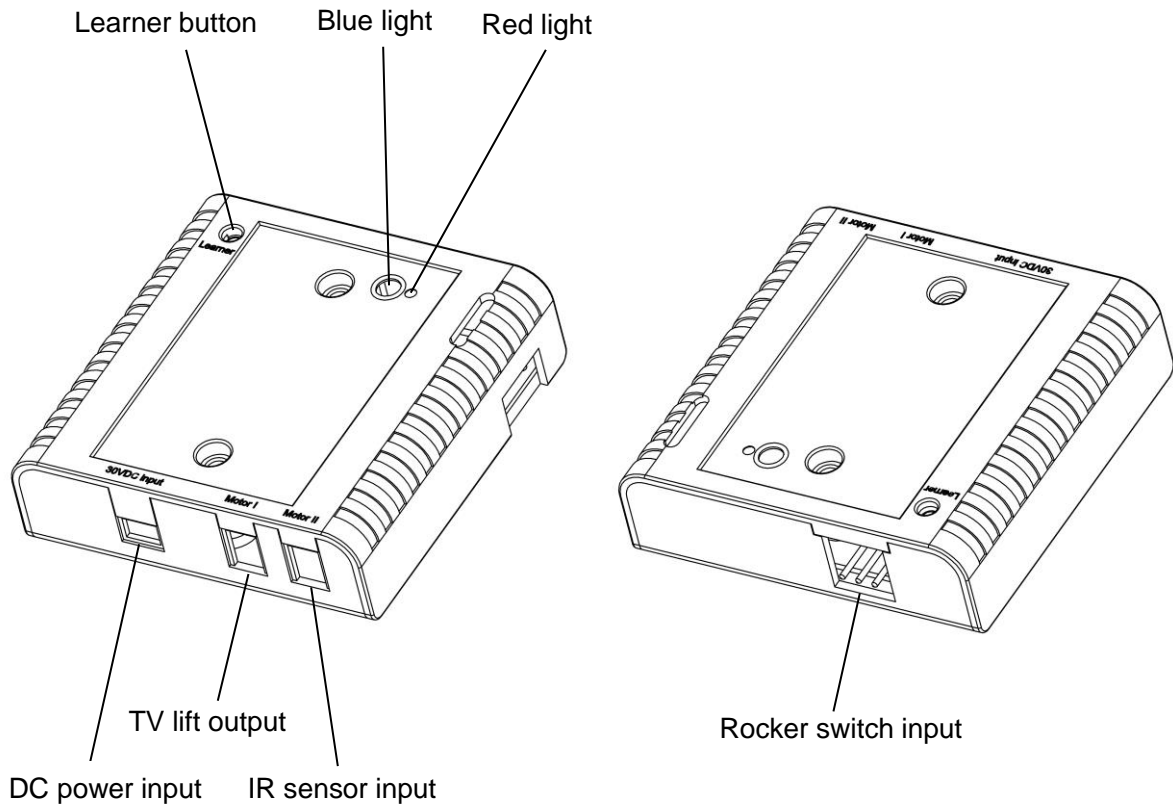


3. Parts included

- Lift unit (#1)
- Rocker switch (#2)
- Rubber washer (#3)
- Control box (#4)
- Power supply (#5)
- AC input wire, country configured (#6)

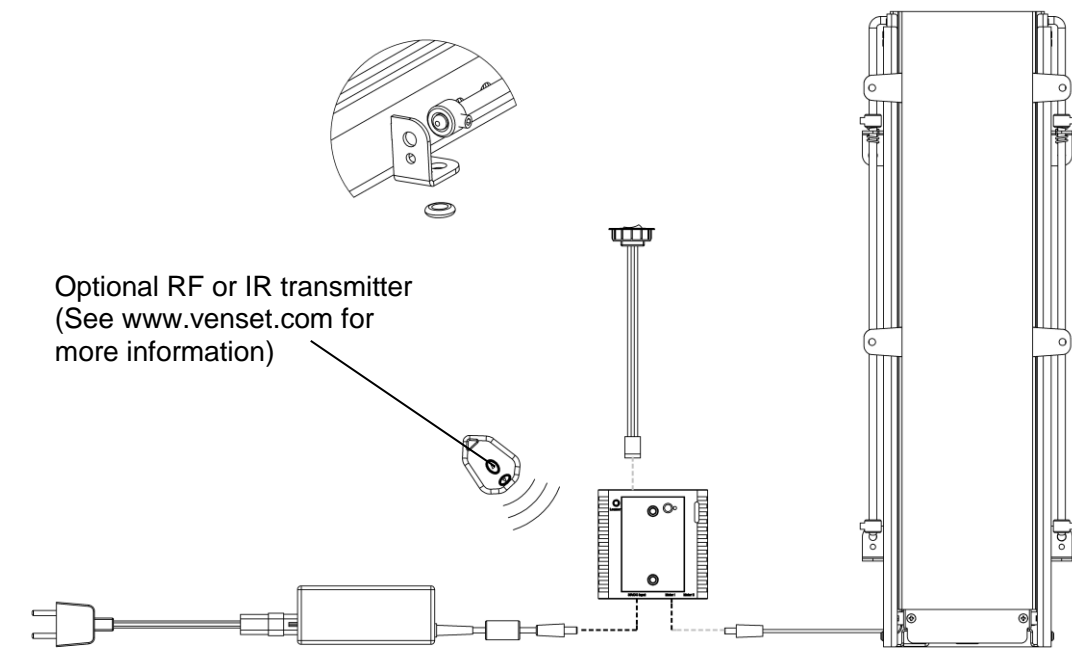


4. Control box



5. Installation

- 1) Remove all contents from packaging and compare with parts list.
- 2) Place the lift unit (#1) onto your straight mounting surface e.g. the back panel of the cabinet* in a location that will allow full up and down movement of the lift.
- 3) Connect the plug from lift unit (#1) to the *TV lift output port* of the control box (#4), rocker switch (#2) to the *Input* port and the power supply (#5) to the *DC Input* port of the control box (#4) like shown below.
- 4) To mount the lift onto your own board or flat wall with normal screws, first screw through the 2 lower brackets using suitable screws. Place a rubber washer (#3) between each bracket and the mounting surface. Then run the lift to its top position using the rocker switch. Then repeat the screw fixing for the 2 upper brackets.
- 5) If using the M5 threaded hole for mounting then screw into this from the back side of your mounting board with suitable length Allen screws, when using these holes you will not need to raise the lift to secure to the upper brackets. Place a rubber washer (#3) between each bracket and the mounting surface.



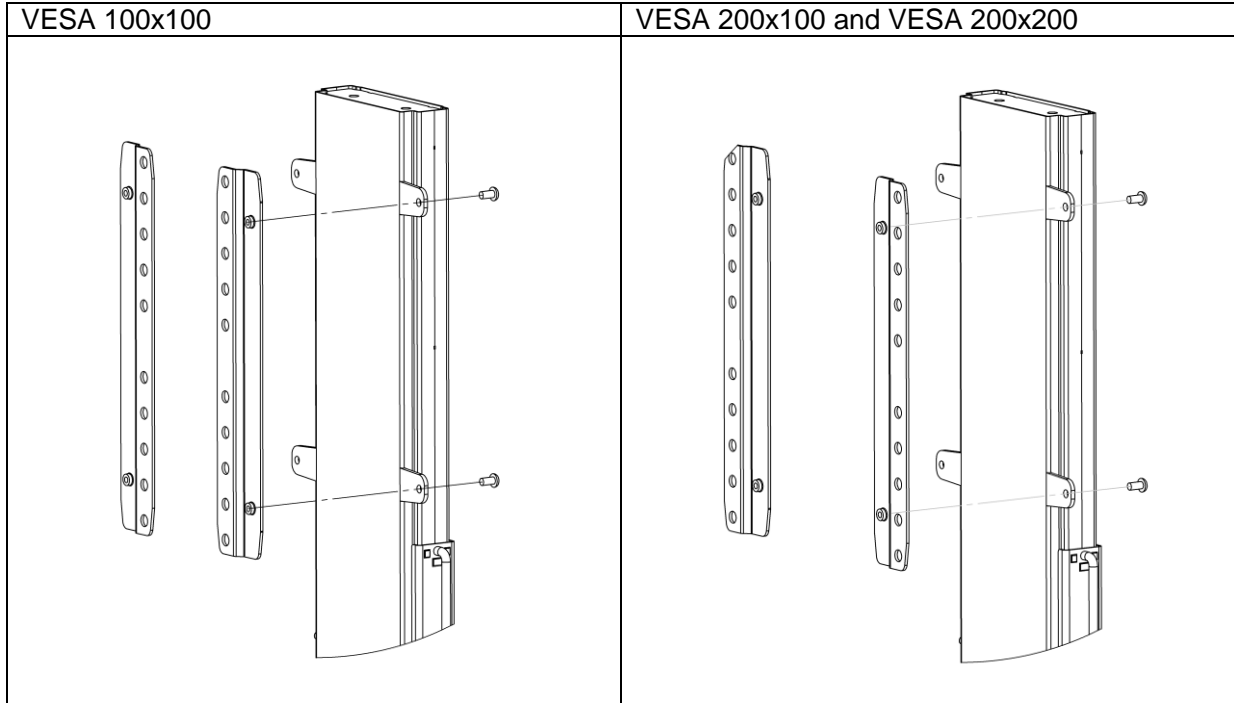
- 6) Mount rocker switch (#2) in an easy location by cutting a $\varnothing 30$ hole and pressing the switch into place. Secure excess wire to keep away from moving parts.
- 7) Plug the power cord (#6) into main electrics and operate manual rocker switch. If the optional RF or IR transmitter has been purchased, the control box needs to be linked to the transmitter before use. See troubleshooting guide on www.venset.com, click "support".

Helpful hint: Mount TV lift and electronics to a plywood panel and attach to inside back of cabinet using appropriate number of screws. This allows all components to be removed from the cabinet if necessary. If this is not possible, create an access panel to the electronics.

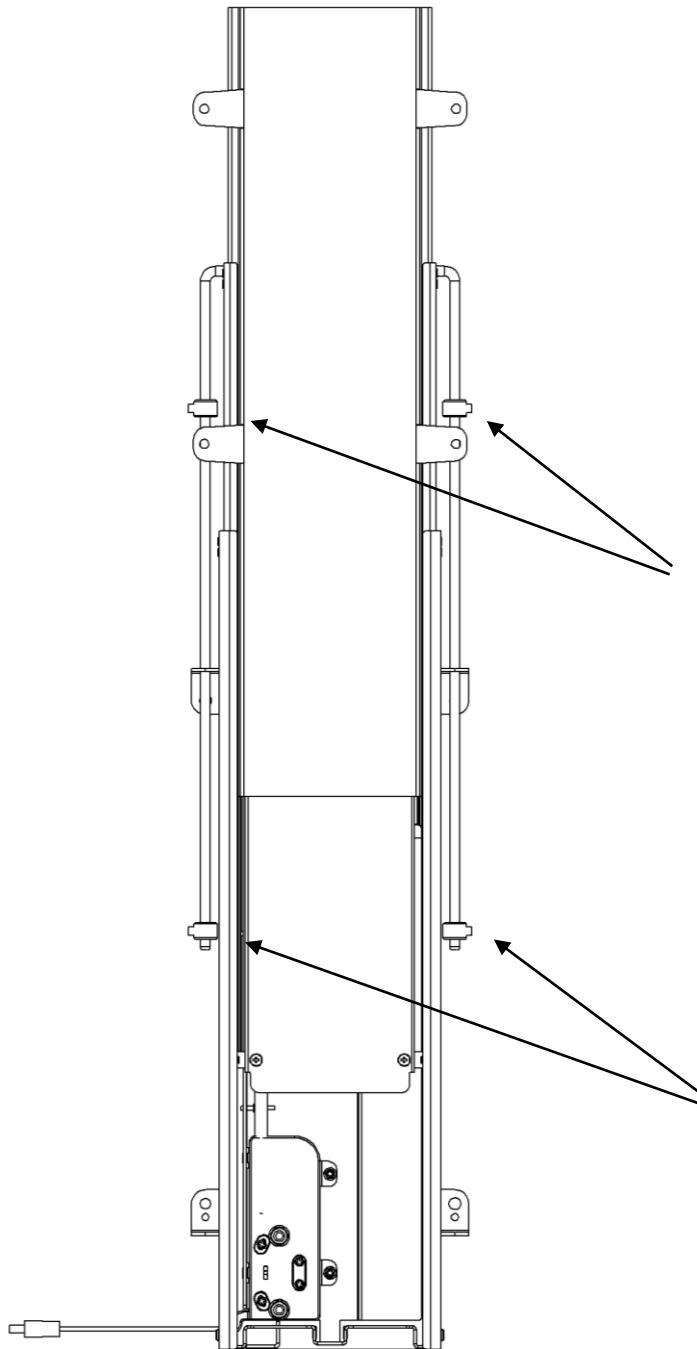
* Aim to create easy access for wear and tear replacement stroke service.

MB600 – VESA mount adapter kit (optional)

The optional MB600 – VESA mount adapter kit can be mounted in two different mounting directions to fit either VESA 100x100 or VESA 200x200 and 200x100 standard.



6. Adjusting the stroke length of the lift



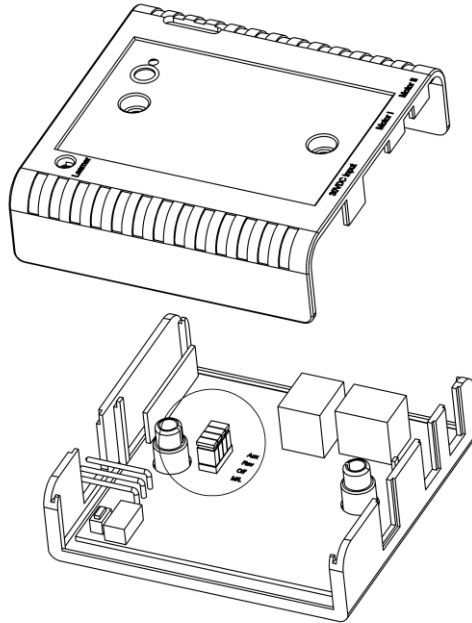
Adjust these 2 end stop sliders downwards to increase the height of the lifts lowest position. 2,5mm Allen key required. Make sure to tighten the screws properly.

Adjust these 2 end stop sliders upwards to decrease the maximum height of the lifts upper position. 2,5mm Allen key required. Make sure to tighten the screws properly.

7. Operation modes

Depending on the mounting direction of the TS600B the matching operation mode must be selected by setting four jumpers (M/L, Off, Rev, Aux) inside the control box.

The jumper: M/L switches between Momentary or Latching behavior for both the rocker switch and RF/IR remote. When Momentary mode is chosen the TS600B only operates as long as the rocker switch or a button of the RF remote is held down. In latching mode, only a single push is required to start or stop operation of the TS600B.



Operation Mode	Jumper				Jumper position
	M/L**	Off	Rev	Aux	
Upside up – momentary (default setting)	Set	Set	Set	Set	
Upside up – latching	Open	Set	Set	Set	

Electric TV Lift, TS600B



Upside down – momentary	Set	Set	Open	Set	
Upside down – latching	Open	Set	Open	Set	
Horizontal - momentary	Set	Set	Set/Open*	Open	
Horizontal - momentary	Open	Set	Set/Open*	Open	

* If the TS600B is mounted horizontal the jumper Rev can be used to select if the TS600B pull out (jumper Rev: set) or pull in (jumper Rev: open) when pressing the up button of the RF/IR remote.

** The momentary mode is not useable for the optional IR remote.

8. RF/IR remote learning

If the control box does not respond when pushing the emitter buttons, they need to be paired.

- Push the Learner button on the control box for less than 1 sec.
- The red LED will turn on
- Push one of the RF/IR emitter buttons
- The red LED will start flashing
- When the red LED stops flashing, the units now are coded together with a unique code
- To abort a learning operation push the Learner button once more. The red LED will turn off and the control box is back into normal operation mode.

9. Declaration of conformity

We hereby declare, under our sole responsibility that the following products:

- VENSET TV-lift product type **TS600B**

is in accordance with

- **Directive 2006/42/EF of the European Parliament and of the Council of 17 May 2006 on machinery and on changes of directive 95/16/EF**

With reference to the above please be aware that:

- the TV-lift is considered a partly completed machinery and
- the TV-lift may not be used until it has been assembled and installed according to the instructions.

Manufacturer:

VENSET A/S

Industrivej 23

DK-6900 Skjern

Denmark

Tel: +45 9735 4611, Fax: +45 9735 4631

The information in this document is subject to change without notice.