

ART. CLICK-0 SINGOLO / SINGLE

MONTAGGIO - MOUNTING

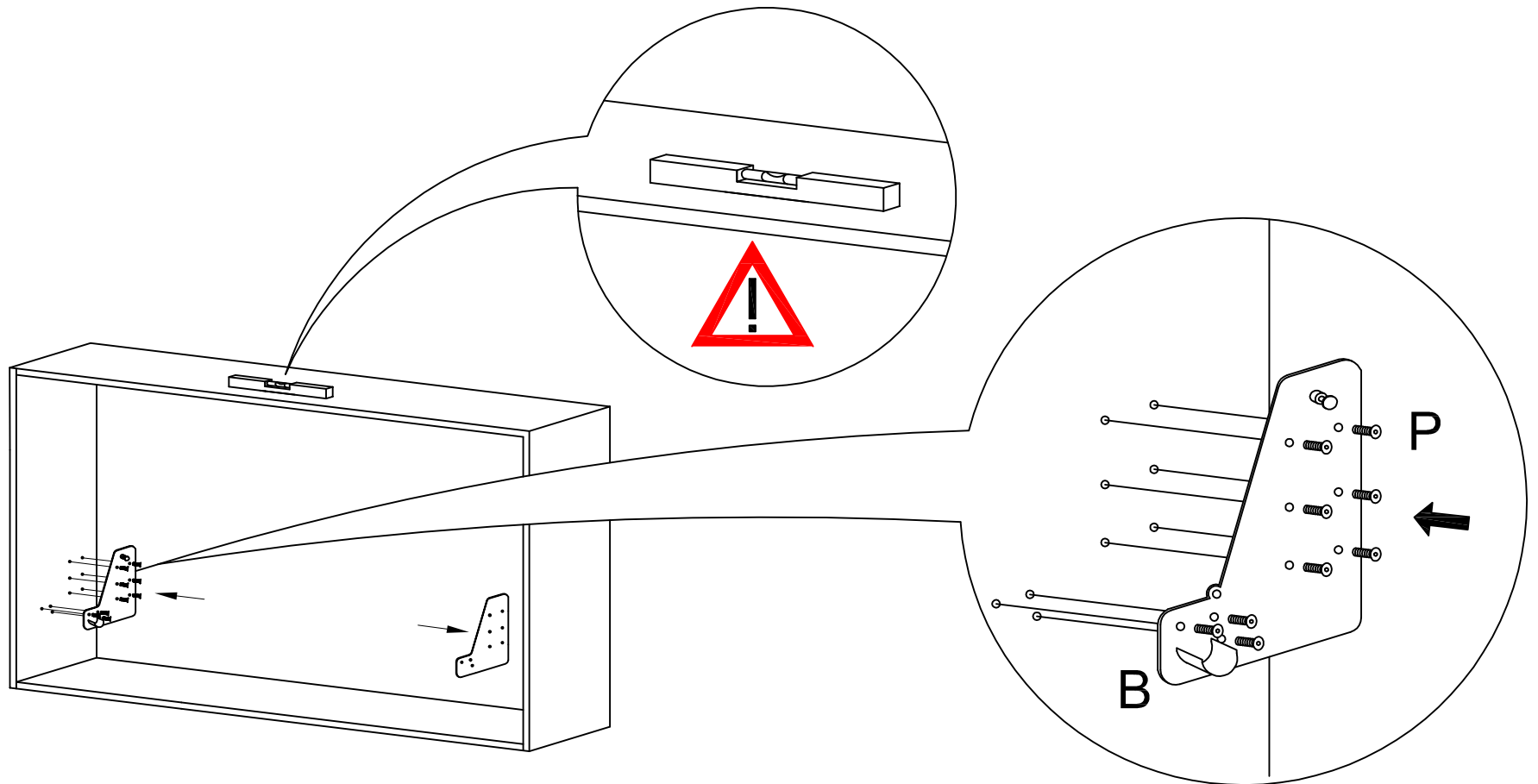


Assicuratevi di aver fissato il vostro mobile alla parete contro il ribaltamento, poichè le pareti sono di materiali diversi il fissaggio alla parete non è incluso

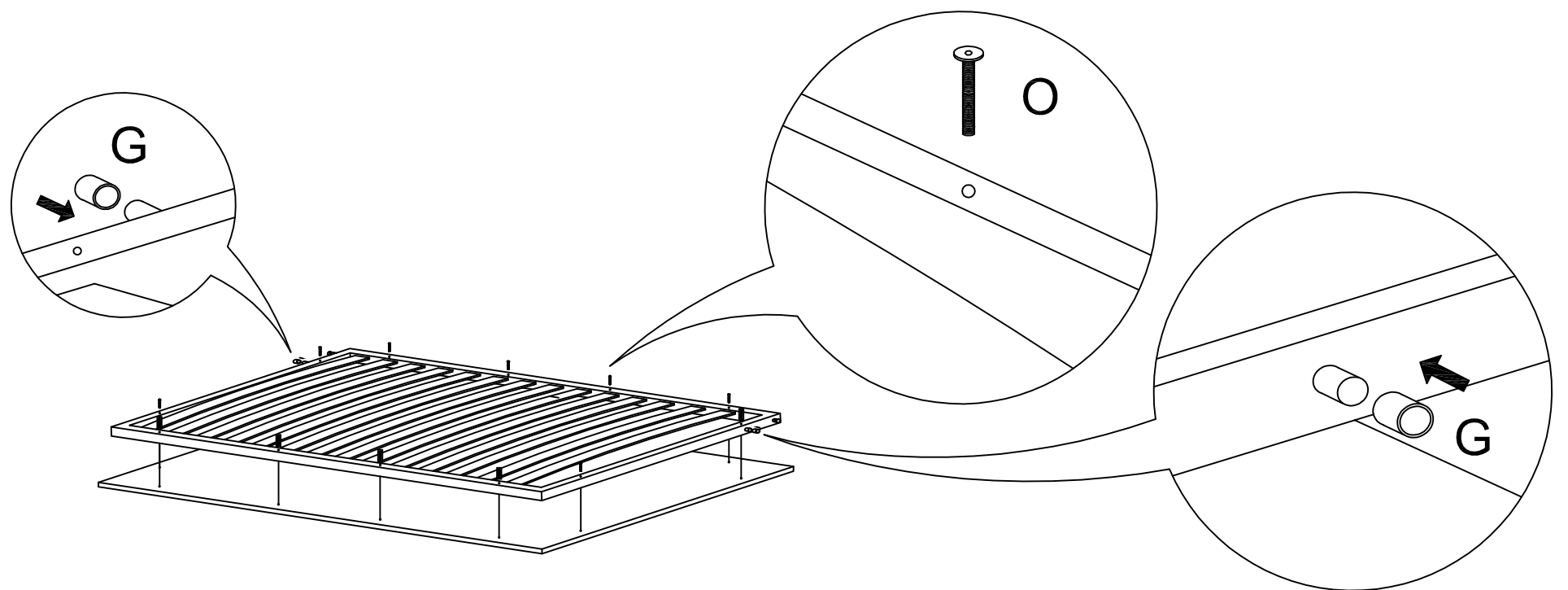
Make sure to fix your cabinet to the wall.

As wall materials vary, plates and screws for fixing to wall are not included.

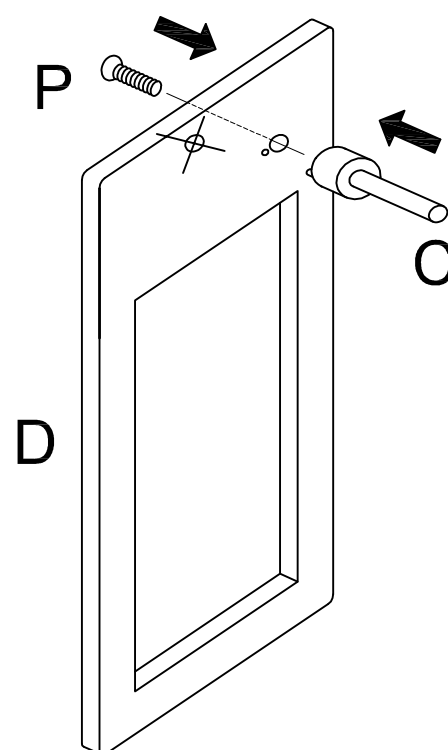
1

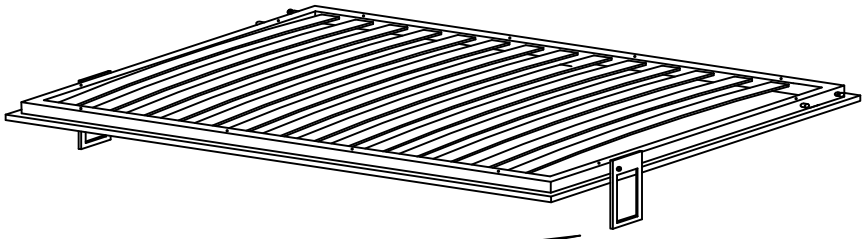


2

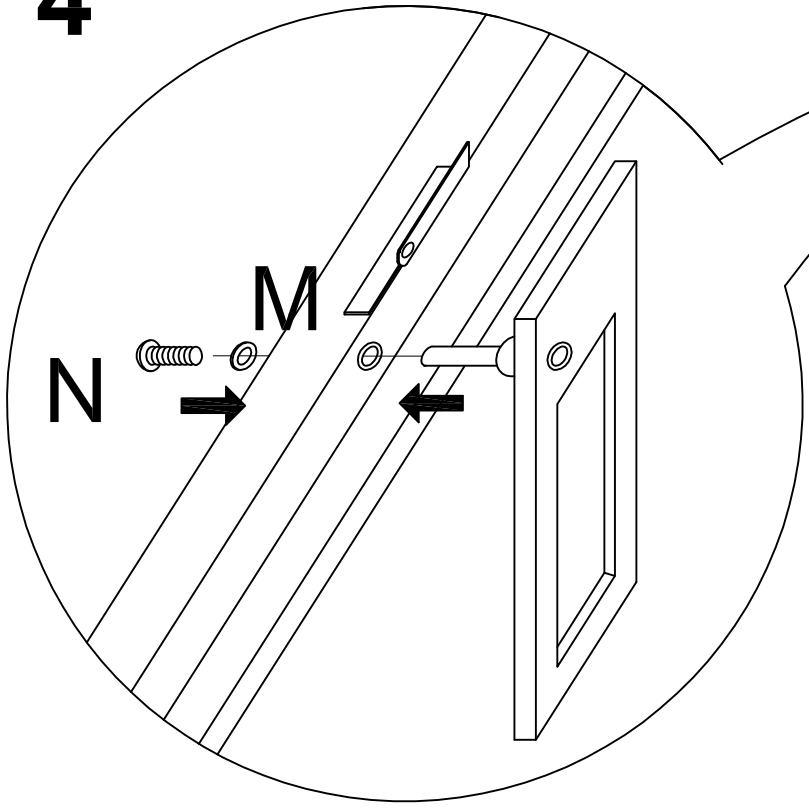


3

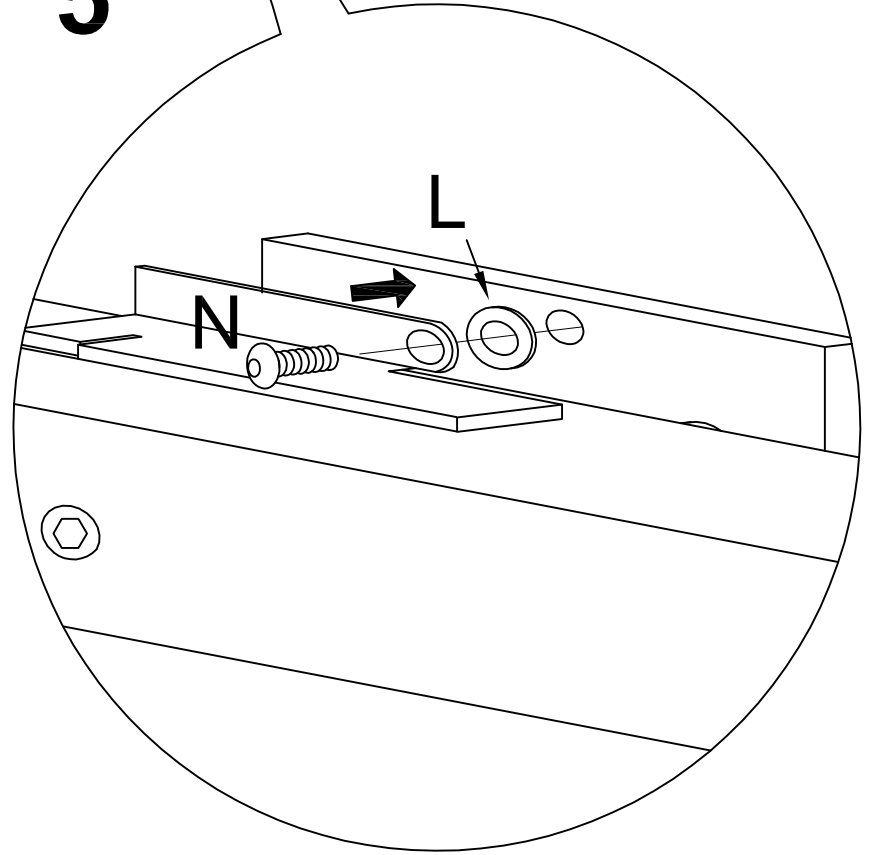




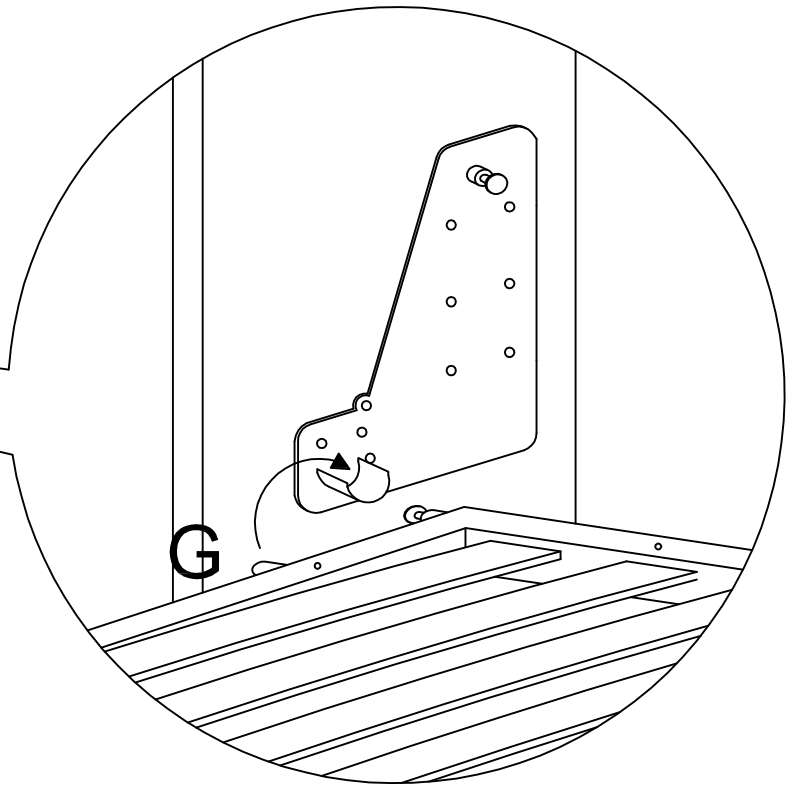
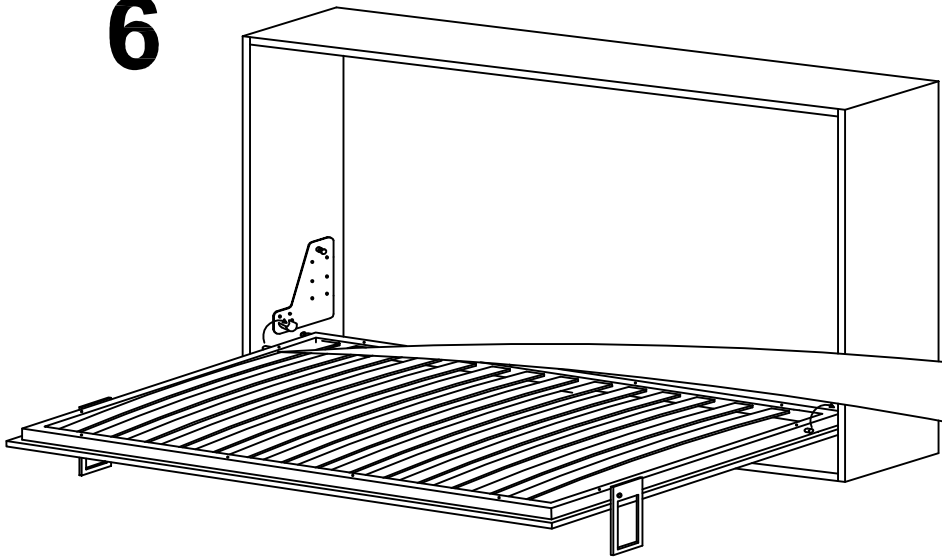
4



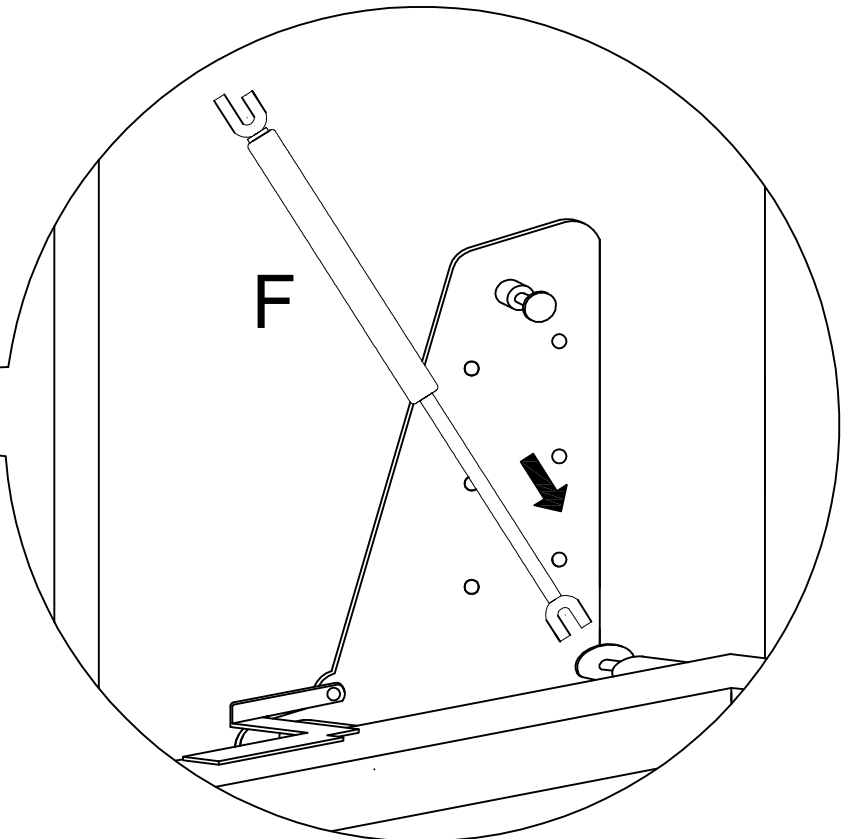
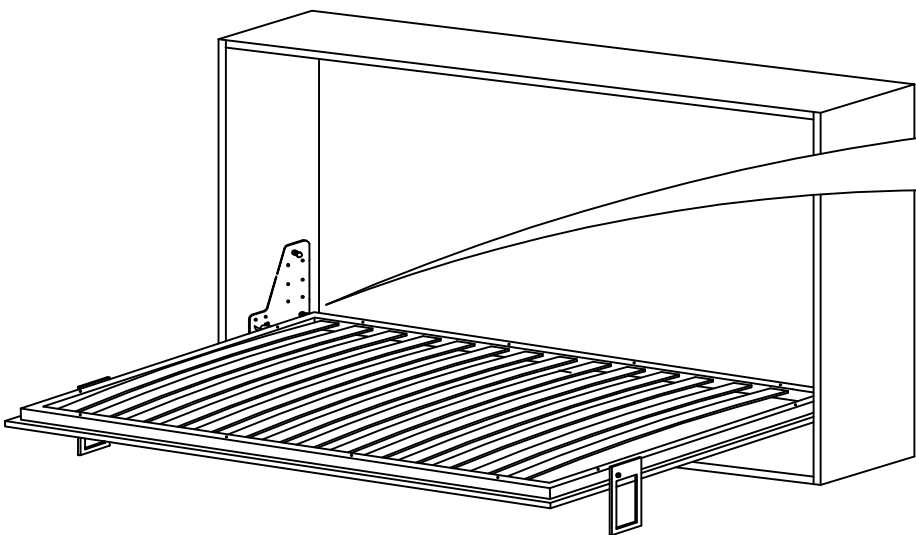
5



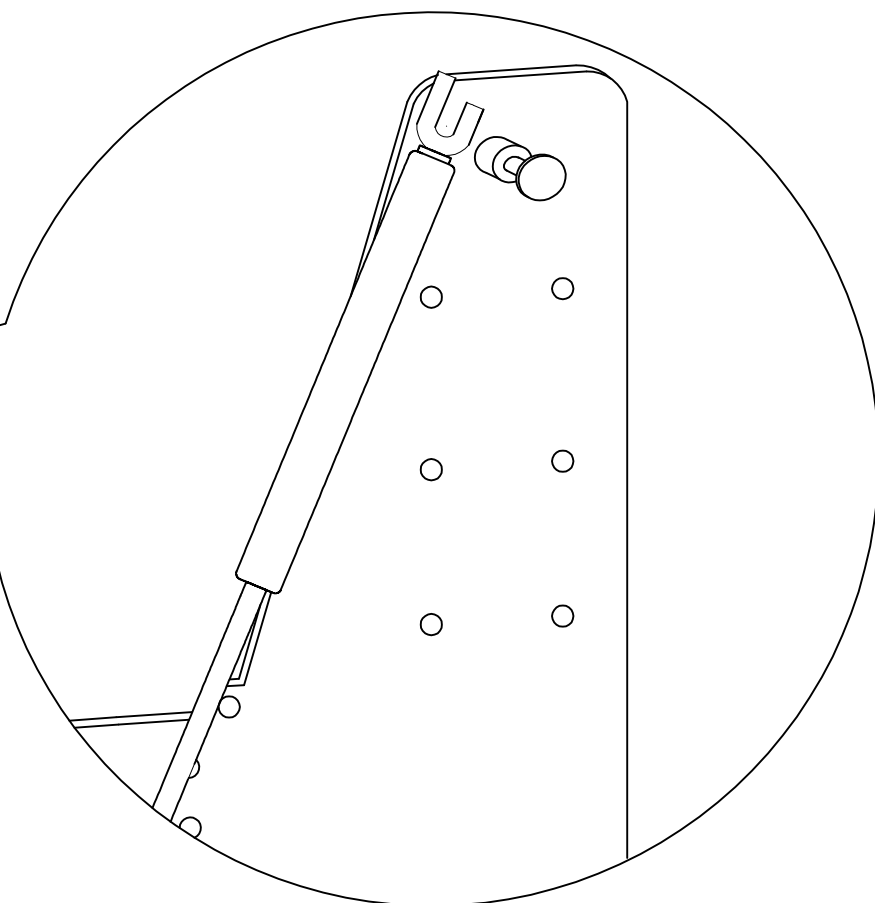
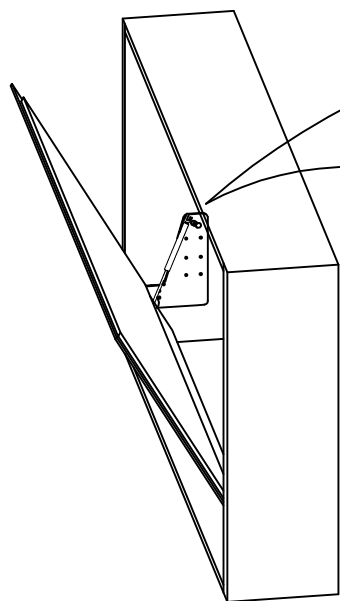
6



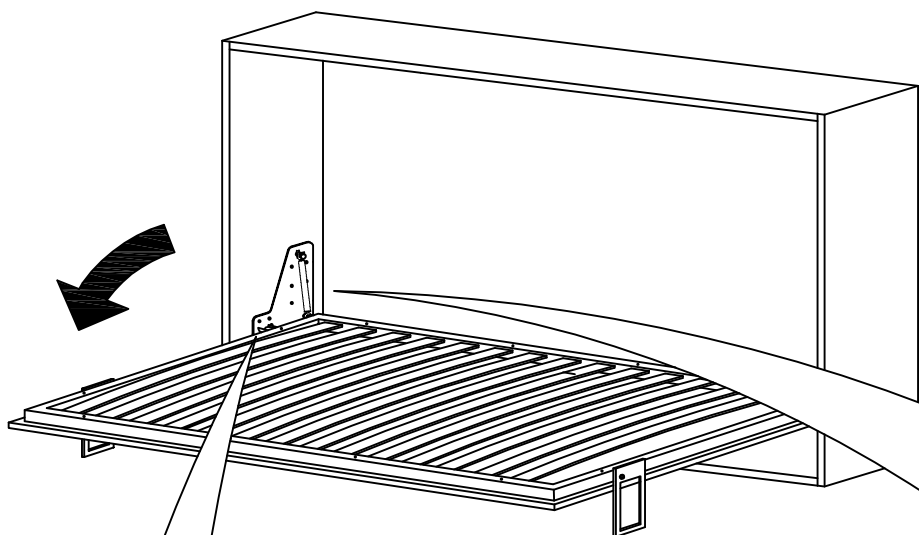
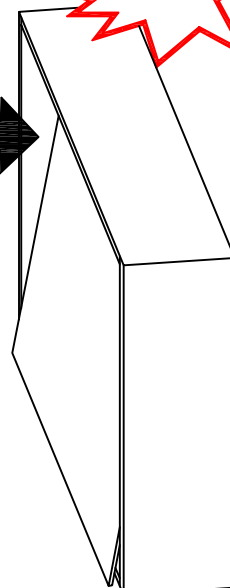
7



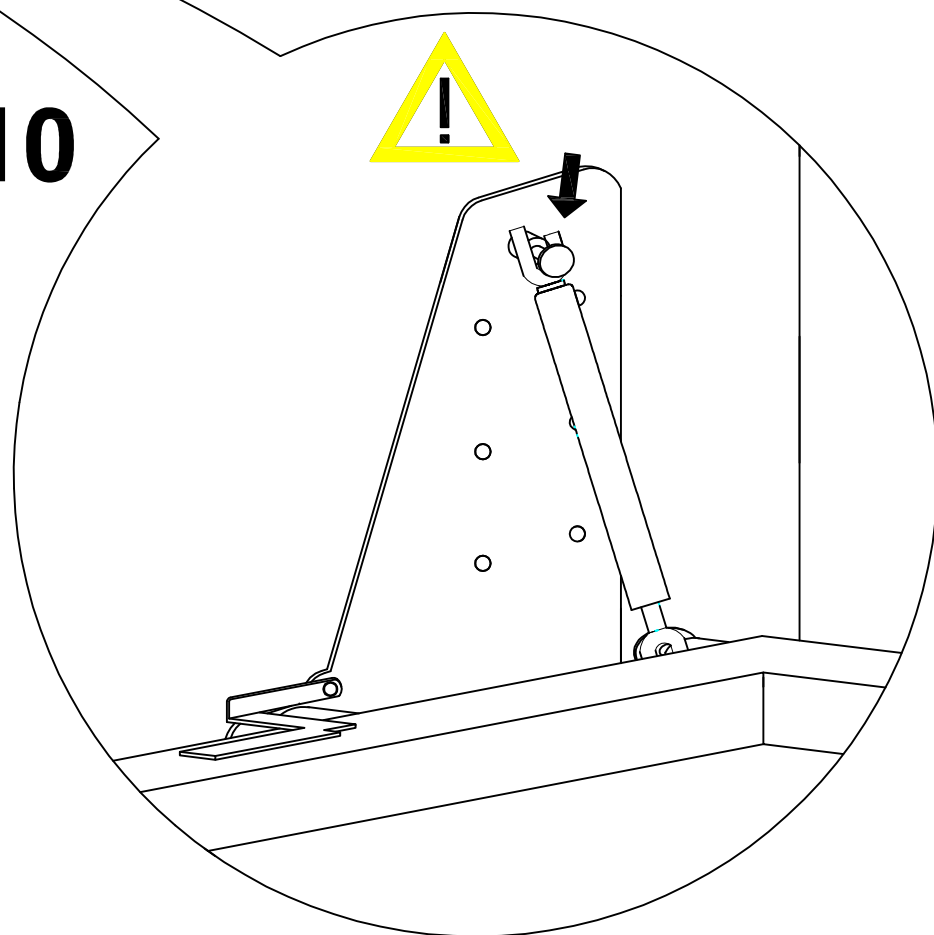
8



9



10

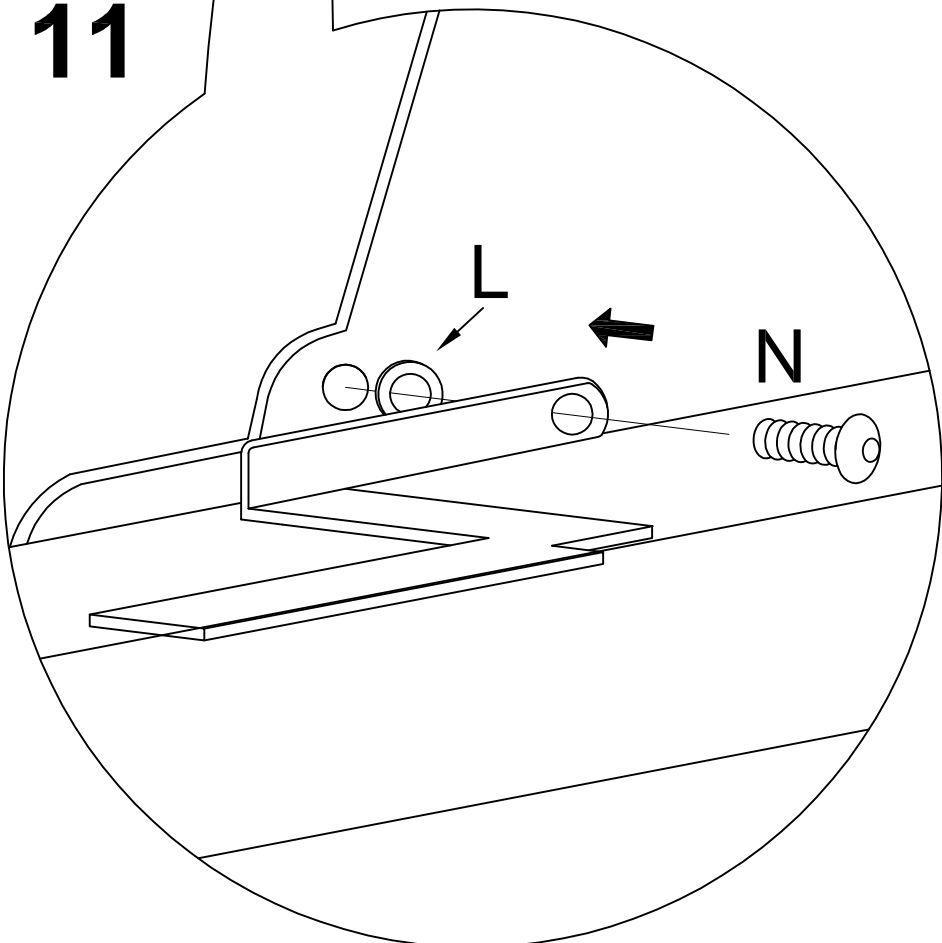
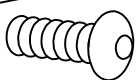


11

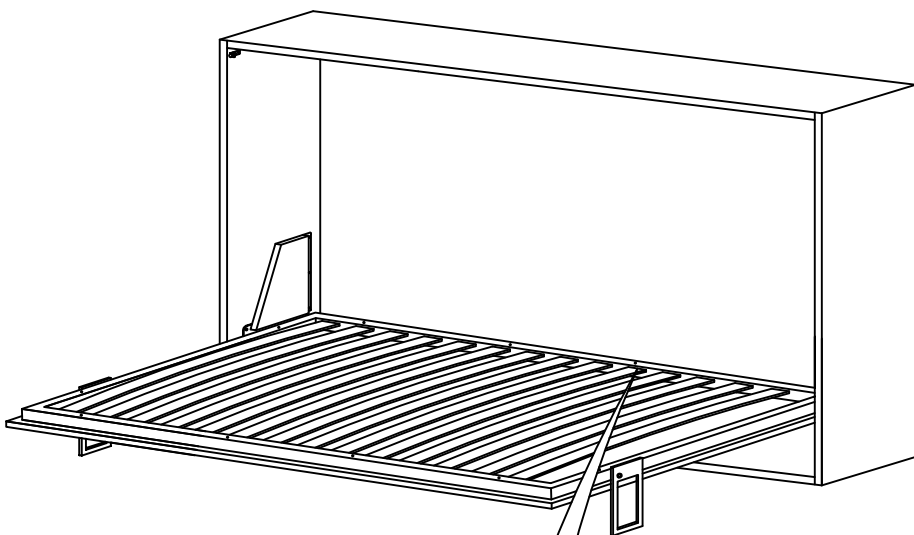
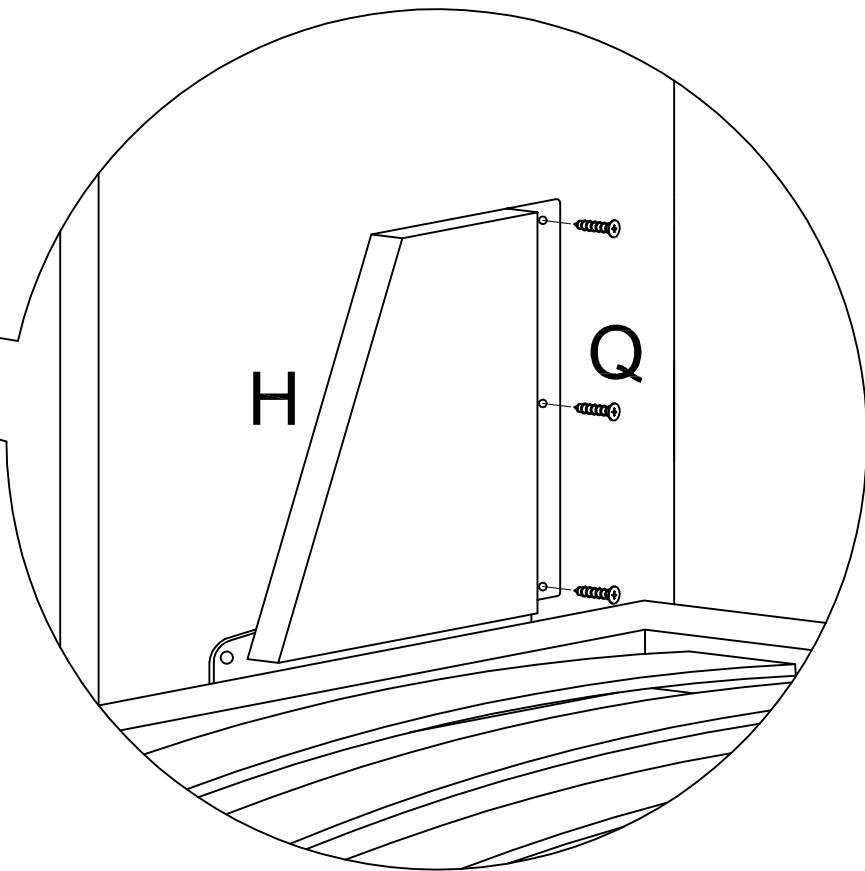
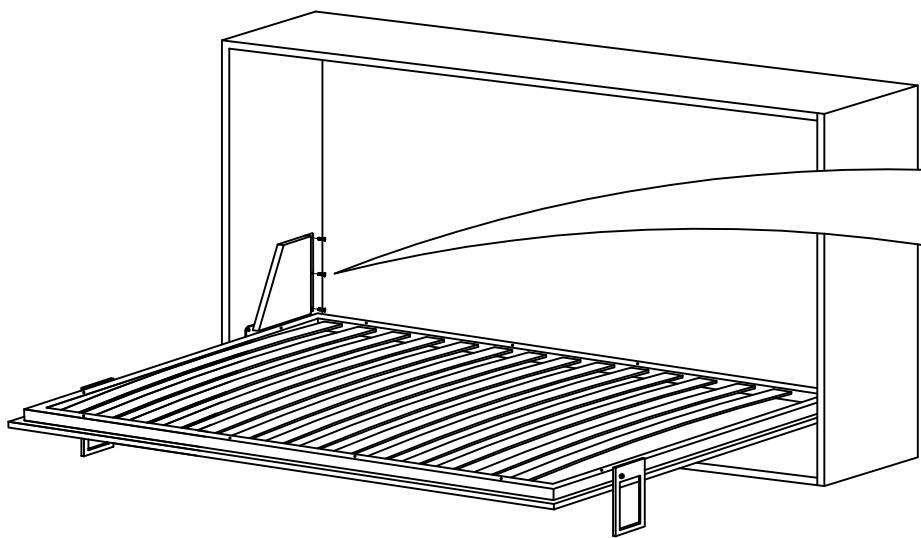
L



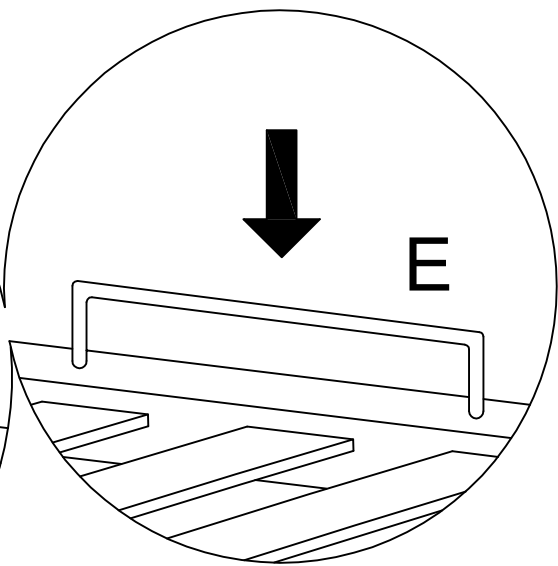
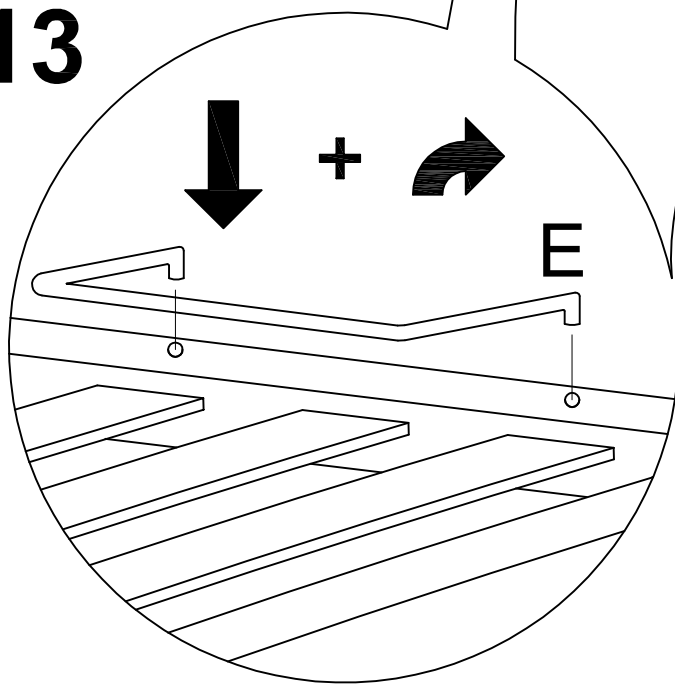
N



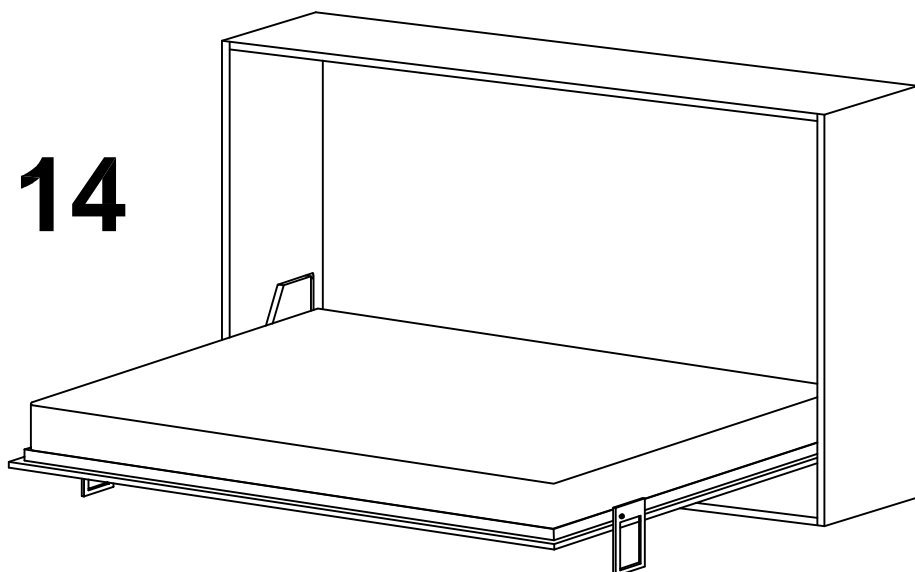
12



13

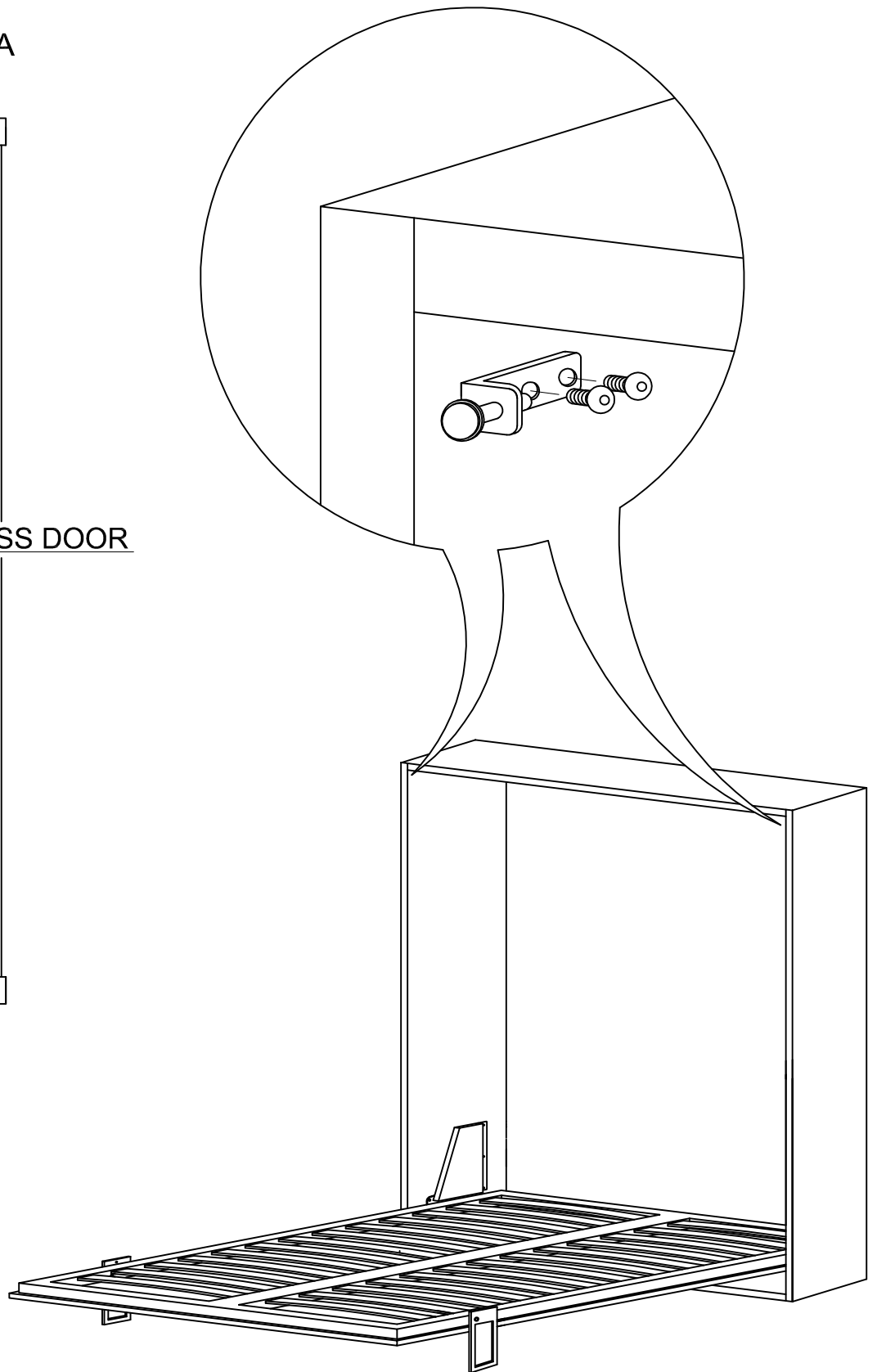


14

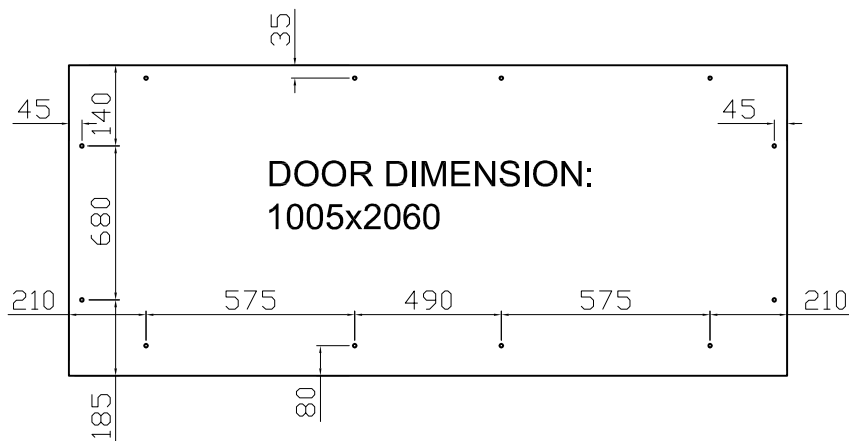
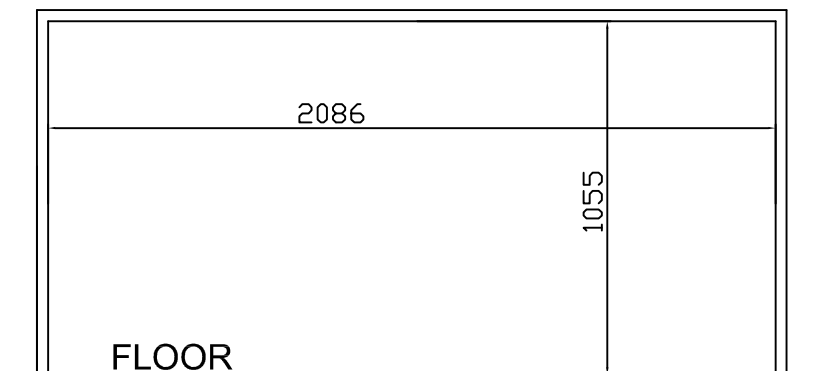


A45 - PLATE FOR STOPPING DOOR PANEL

COMPASS 6MA



CLICK-O LOWER 920x2020



THREADED BUSH 6MA

CABINET DIMENSIONS:

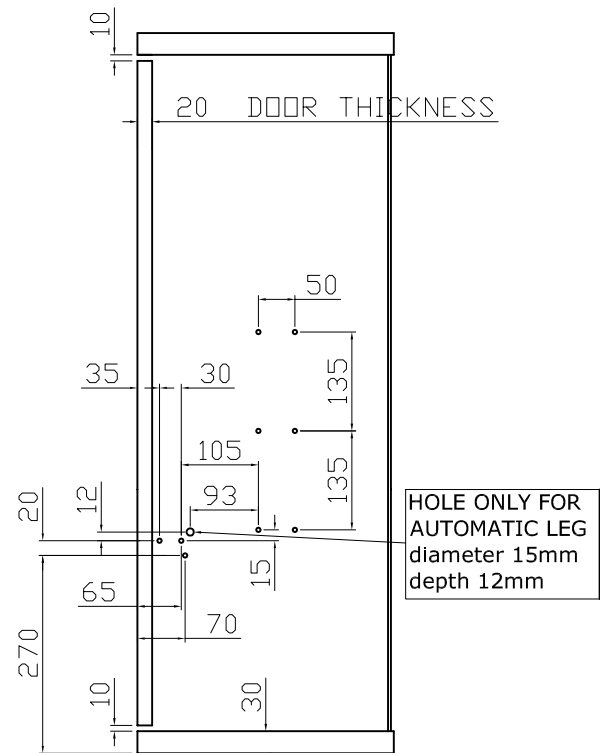
INTERNAL WIDE 2086mm
HEIGHT FROM THE FLOOR 1055mm
BASAMENT HEIGHT MAX 60mm

EXAMPLE:

METAL BASE DIMENSION 920x2020
DOOR DIMENSION 1005x2060
BASAMENT HEIGHT 30mm
if you change basament dimension
you have to change door size

FRONT PANEL + MATTRESS
WEIGHT 40 Kg
HEIGHT MATTRESS 180mm

HOLES FOR RIGHT AND LEFT SIDE



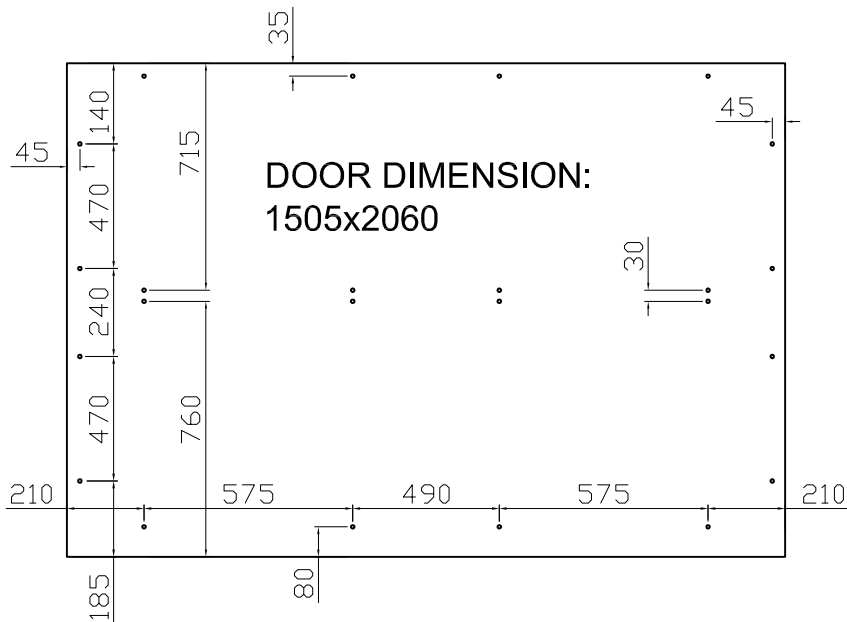
THREADED BUSH 6MA

DEPTH CABINET:

THICKNESS DOOR + 280mm +
THICKNESS BACK PANEL

If the weight of the mattress is lower than the face panel weight, the addition of a magnetic latch is advised to keep the panel well closed.

CLICK-O LOWER 1420x2020



THREADED BUSH 6MA

CABINET DIMENSIONS:

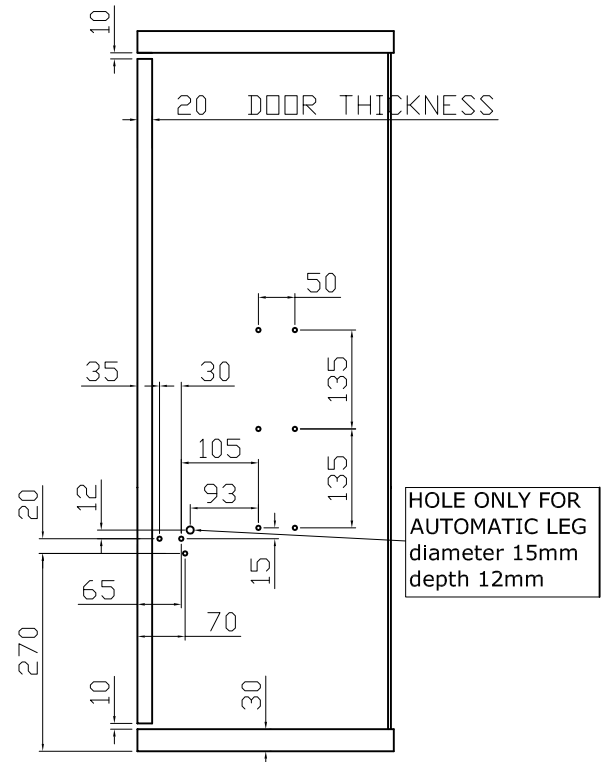
INTERNAL WIDE 2086mm
HEIGHT FROM THE FLOOR 1555mm
BASAMENT HEIGHT MAX 60mm

EXAMPLE:

METAL BASE DIMENSION 1420x2020
DOOR DIMENSION 1505x2060
BASAMENT HEIGHT 30mm

if you change basament dimension
you have to change door size

HOLES FOR RIGHT AND LEFT SIDE



THREADED BUSH 6MA

DEPTH CABINET:

**THICKNESS DOOR + 280mm +
THICKNESS BACK PANEL**

FRONT PANEL + MATTRESS

WEIGHT 70 Kg

HEIGHT MATTRESS 180mm

If the weight of the mattress is lower than the face panel weight, the addition of a magnetic latch is advised to keep the panel well closed.