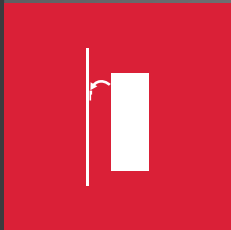




APC 1



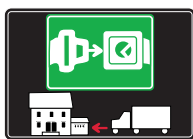
HANGERS





SYMBOLS AND FINISHES LEGEND

SYMBOLS



= SHELF SAFELY LOCKED DURING TRANSPORTATION AND AT HOME.



= ANTI-TURNOVER LOCKING SYSTEM



= NORMS / PATENTS



= PHILLIPS / POZIDRIV



= WITH BUFFER



= PART NO.



= BLADE SLOT



= WITH MAGNET



= PCS. PER PACKAGE



= COMBI SLOT



= HEXAGONAL SOCKET



= NEWTON



= CAPACITY LOADING



= HEXALOBULAR SOCKET



= FRICTION



= WOOD / GLASS THICKNESS



= COUNTERSUNK HEAD



= AUTOMATIC



= HOLE DIAMETER



= PAN HEAD



= DROP DOWN



= DIAMETER



= FLANGE HEAD



= LENGTH



= FLAT HEAD



= STANDARD HINGE



= HEIGHT



= TRILOBULAR SCREW



= KIMANA HINGE



= RIGHT VERSION



= SELF-TAPPING SCREW



= FLAP HINGE



= LEFT VERSION



= EURO THREAD



= WITH SPRING



= SETTING CODE



= METRIC THREAD



= WITHOUT SPRING



= PCS. PER PAD



= PRE-INSERTED SCREW



= REVERSED SPRING



= CUT ON REQUEST



= PRE-INSERTED SCREW AND SPREADING BUSH



= SELF ADHESIVE



= WITH FLANGE

NOTE: Printing errors and omissions may exist despite our best efforts to ensure accuracy. We reserve the right to alter specifications without notice.

MATERIALS

ZA = Zinc Alloy	ST = Steel	HSS = High Speed Steel	BR = Brass	ABS = Acrylonitrile Butadiene Styrene
ZAnk = Nickel-plated Zinc Alloy	STzk = Zinc-plated Steel	AL = Aluminium	WD = Wood	EVA = Ethylene Vinyl Acetate

EP = ENGINEERING PLASTIC	+ EP = other engineering plastic available on request	SR = SOFT RUBBER	+ SR = other soft rubber available on request
--	--	--------------------------------	--

EPn = Natural Engineering Plastic	EPc = Clear Engineering Plastic	SRn = Natural Soft Rubber
EPw = White Engineering Plastic	EPg = Grey Engineering Plastic	SRw = White Soft Rubber
EPwg = Water Green Engineering Plastic	EPa = Anthracite Engineering Plastic	SRb = Black Soft Rubber



FINISHES



+ **OTHER FINISHES AVAILABLE ON REQUEST**

PART NO.	FINISHES	PART NO.	FINISHES	PART NO.	FINISHES
00	Insignificant finish	IF	Middle Grey	RO	Red
AA	Natural	IJ	Light Grey	UT	T-Met 9007
AB	White	IL	Grey 20	UZ	T-Met
AE	White 9010	IN	Grey met. 26	WA	Bronzed
EA	Black	JB	Bright Aluminium	WI	Burnished
EC	Matt Black	JC	Aluminium - Chrome	XD	Satin-finished Steel
EE	Anthracite	JD	Matt Aluminium	YA	Nickel-plated
EW	Grey 9007	JE	Satin-finished Aluminium	YB	Bright Nickel-plated
FU	Gunmetal	JF	Aluminium - Brass	YC	Matt Nickel-plated
FV	Gunmetal V52	JG	Aluminium 5	YD	Satin-finished Nickel-plated
GR	Raw	JL	Aluminium PE 11	YQ	Black Nickel
HA	Brass-Plated	JM	Aluminium RAL 9006	Z9	Black Zinc
HH	Tropicalized	KA	Chrome	ZA	Zinc alloy
HL	Raw Brass	KB	Bright Chrome	ZN	Zinc-plated
HX	Graphite	KC	Matt Chrome	ZQ	Bright Gold
IA	Grey	LD	Brown 8019	ZY	Titanium
IB	Metallic Grey	NN	Metallic Beige	ZZ	Clear

APC 1, APC 3, APC 4, APC 6 LIVING SETTINGS



APC 1



APC 4



APC 3



APC 6



APC 1

APC1 is a two-handed invisible screw fixing cabinet hanger.

APC1 requires a simple installation, without any pre-drilling operations. It can be installed on cabinets with a minimum sanitary gap of 15 mm. APC1 allows a vertical adjustment up to 18 mm and an in-depth adjustment of maximum 31 mm. The adjustments can be carried out from the inside of the cabinet by using a standard PZ2 screwdriver.

Also featured in the APC family are 1 type of wall plate and 2 types of wall bars made of very thick zinc-coated steel and hardened by punched impressions. Wall bars and wall plates feature oval holes which facilitate the correct positioning and give possibility to carry out the horizontal adjustment. Also available 2 different cover caps: one round version for Ø20 mm hole and one square version for double Ø12 mm holes.

FEATURES AND BENEFITS

- WIDE ADJUSTMENT RANGE: vertical and in-depth adjustments.
- NO PRE-DRILLINGS: no pre-drilling operations are required for the cabinet installation.
- ONE COVER CAP: only one hole is needed to provide access to all adjustments.

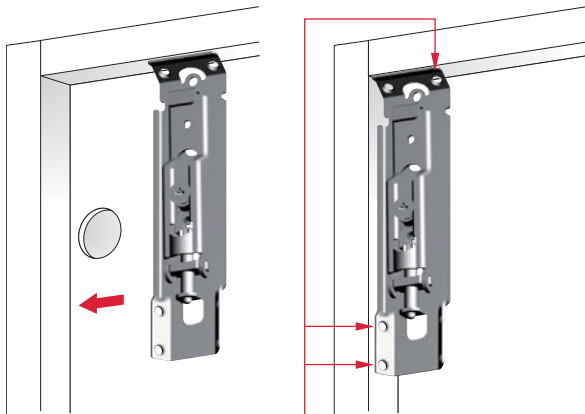
EN 15939:2019 - 70 Kg per piece



Certificates available on request.

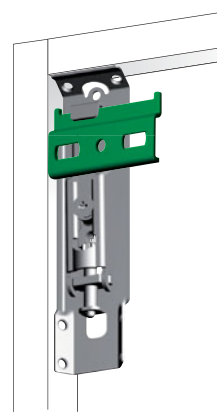


INSTALLATION UNDER THE CABINET TOP



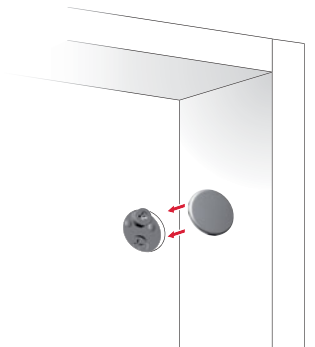
recommended fixing countersunk head wood screws Ø3,5x20 mm

INSTALLATION ON THE WALL

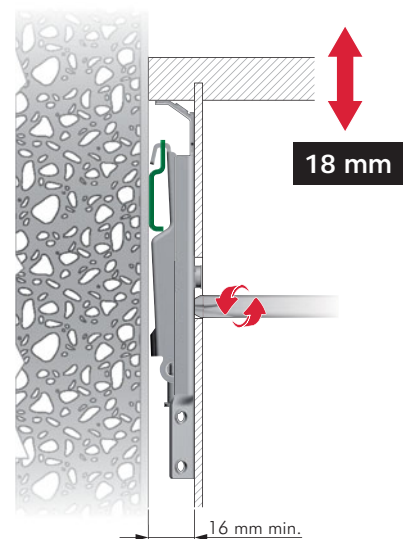
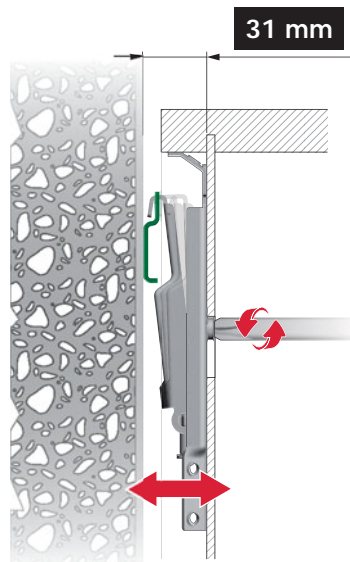
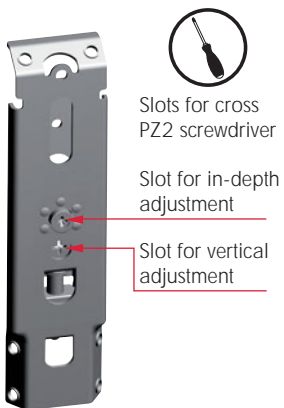


It is the responsibility of the customer:
 - to ensure that the wall is of a suitable quality to hold the unit fixing in place.
 - to use the proper hardware fittings according to the construction of the wall.
 For more specific information, please refer to the WARNINGS section at the end of the catalogue.

COVER CAP INSERTING

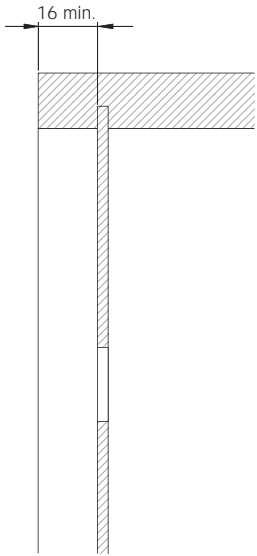


ADJUSTMENTS



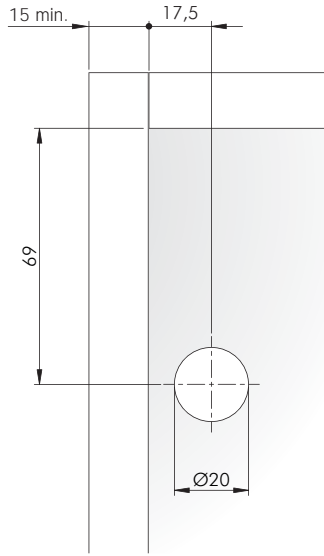
DRILLING PLAN FOR APC 1 FIXED UNDER THE CABINET TOP

SIDE PANEL AND SERVICE GAP

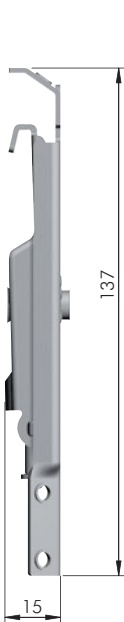
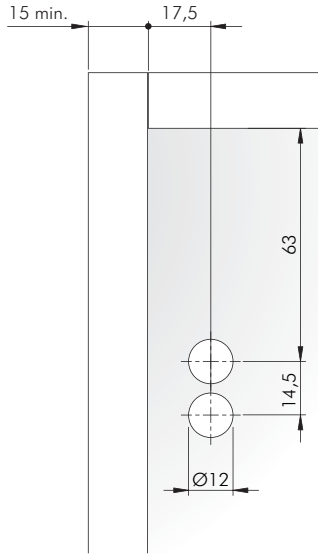


BACK PANEL

APC cover cap $\varnothing 20$

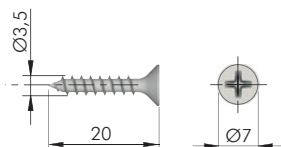


APC cover cap double hole $\varnothing 12$



	= PZ2		= 100 pcs.
65210010ZN			

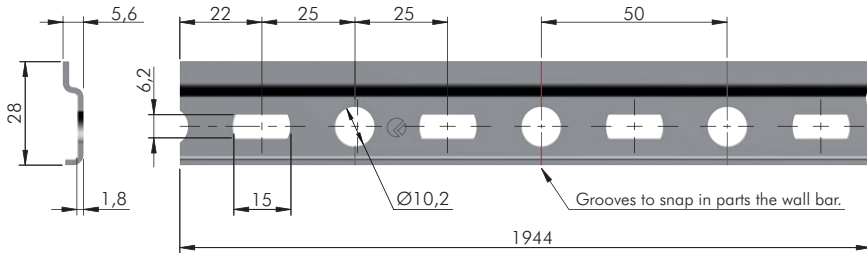
APC 1 FIXING ACCESSORY






			= PZ2		
			= 5000 pcs.		
60101410ZN					



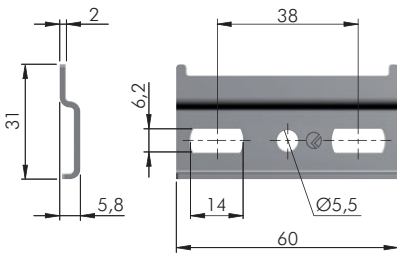
WPC1 WALL BAR  Certificates available on request.






ST	 = 20 pcs.
 123	
65240010ZN	



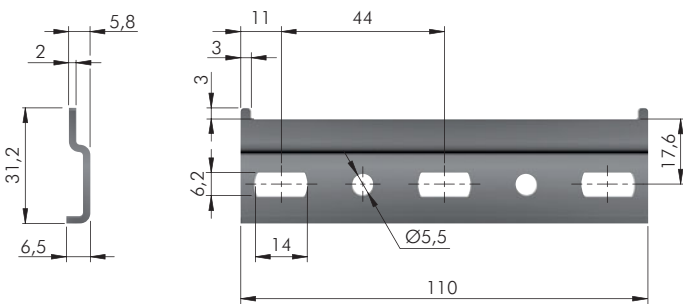
WPC2 WALL PLATE  Certificates available on request.






ST	 = 100 pcs.
 123	
65230010ZN	



WPC110 WALL PLATE  Certificates available on request.



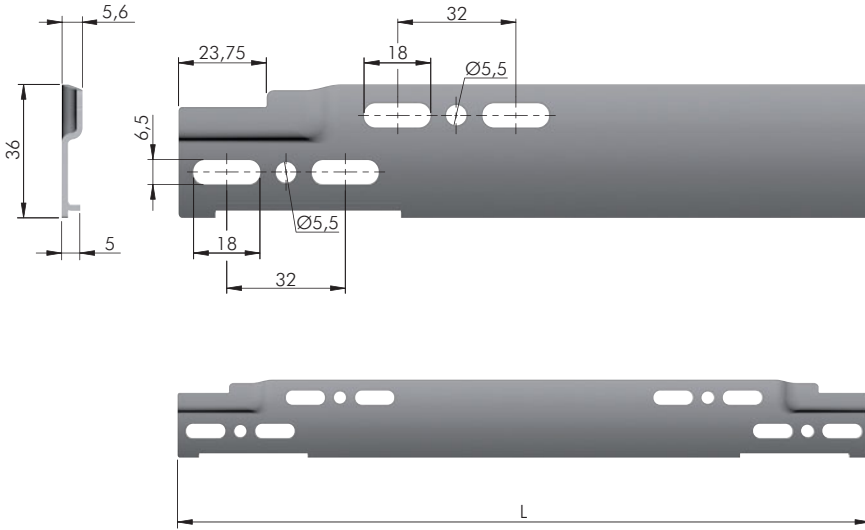
ST	 = 100 pcs.
 123	
65230100ZN	



WPC3 WALL BAR



Certificates available on request.



ST = 20 pcs.

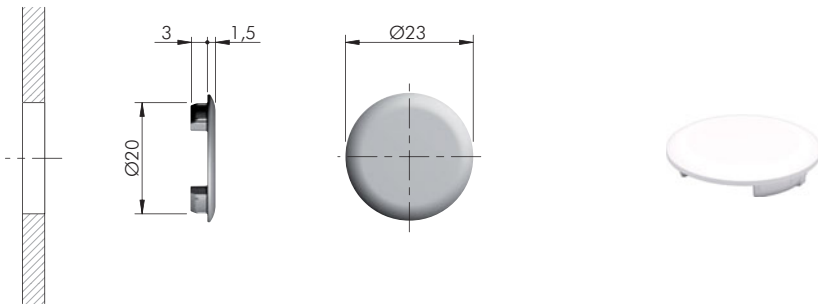
6525 XXXX ZN

6525 XXXX ZN

L = Length of the bar in mm



APC COVER CAP Ø20

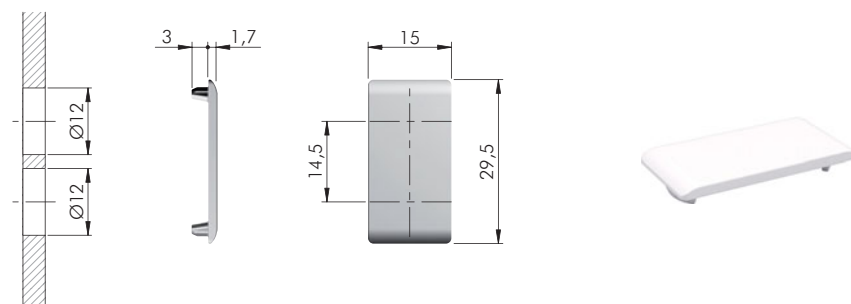


= Ø 20 mm +

EP = 5000 pcs.

65270100AB
65270100EE
65270100IJ

APC COVER CAP DOUBLE HOLE Ø12

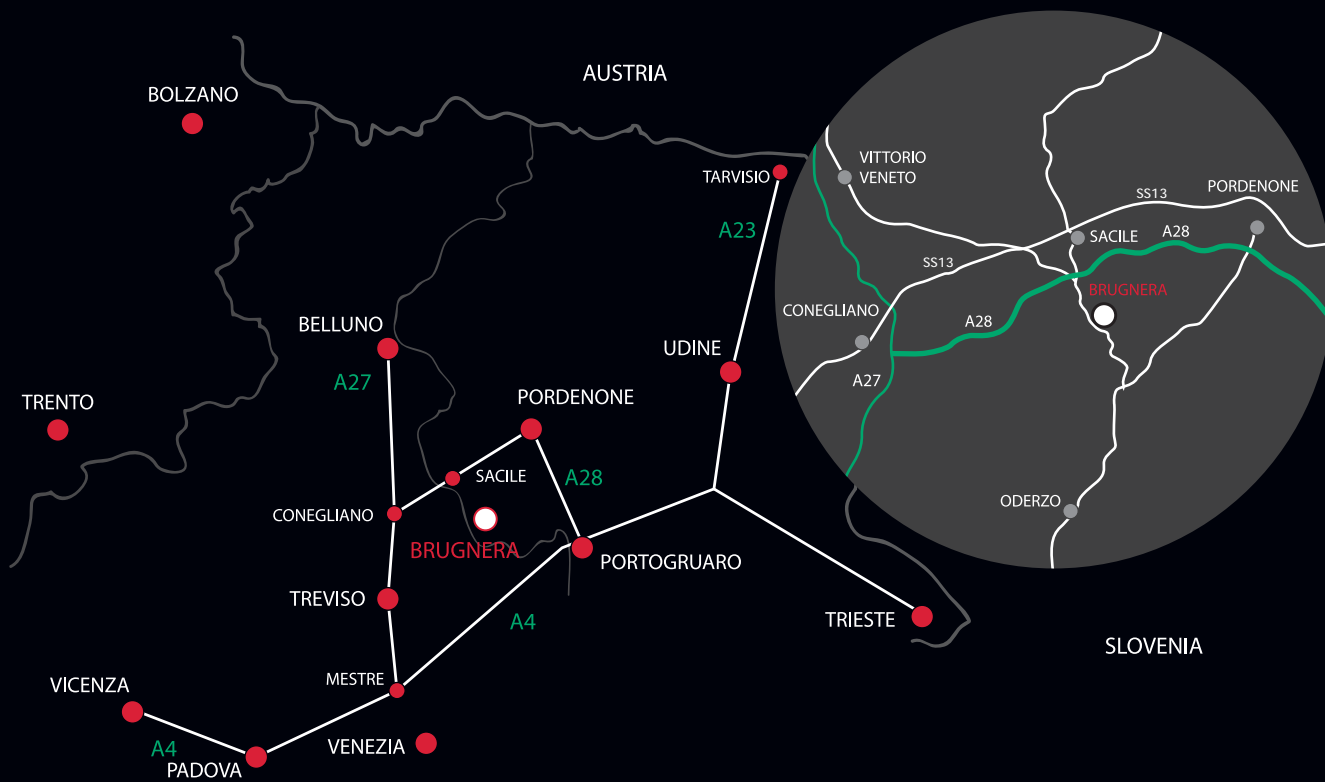


= Ø 12 mm +

EP = 5000 pcs.

65270200AB
65270200EE
65270200IJ





www.italianaferramenta.it