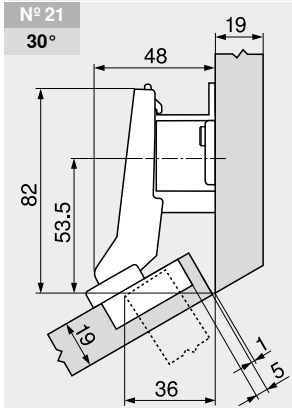


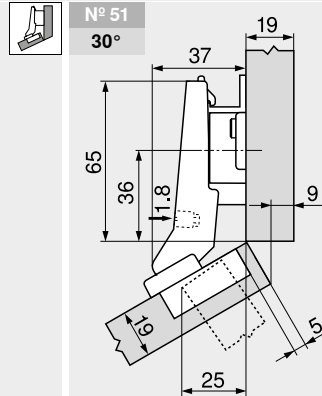
+30° II – angled hinge overlay

Webcode
DQDTDA

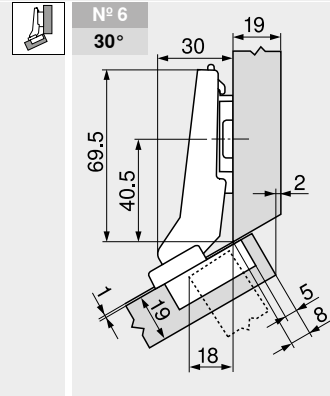
Planning



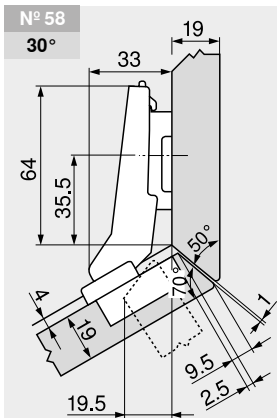
Description	Spacing (mm)	Part no.
Mounting plate	18	175H7190.22



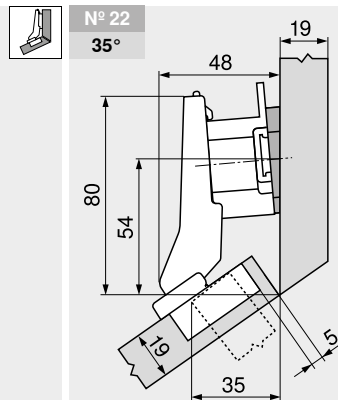
Description	Spacing (mm)	Part no.
Mounting plate	9	175H7190



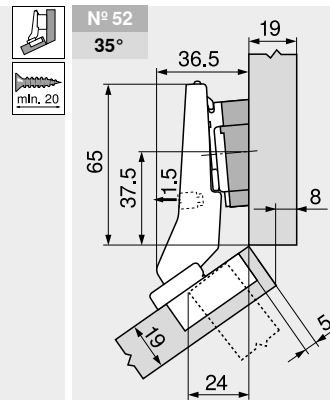
Description	Spacing (mm)	Part no.
Mounting plate	0	173H7100



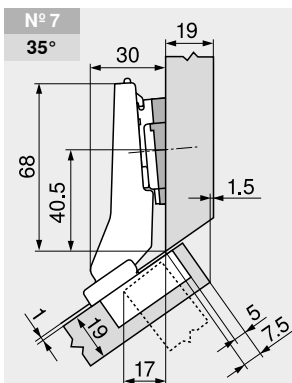
Description	Spacing (mm)	Part no.
Mounting plate	3	173H7130



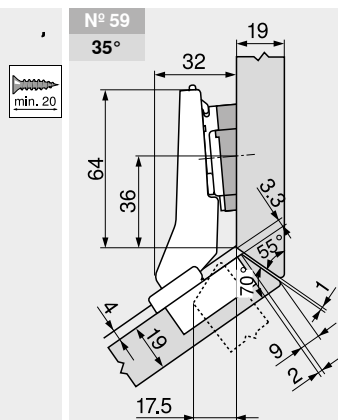
Description	Spacing (mm)	Part no.
Mounting plate	18	175H7190.22
Angled spacer	+5°	171A5010



Description	Spacing (mm)	Part no.
Mounting plate	0	173H7100
Angled spacer	+5°	171A5070



Description	Spacing (mm)	Part no.
Mounting plate	0	173H7100
Angled spacer	+5°	171A5010



Description	Spacing (mm)	Part no.
Mounting plate	0	173H7100
Angled spacer	+5°	171A5040

Adjustment

Max. ±3.0 mm
See mounting plates

±1.8 mm

±2.0 mm

Page instructions

Hinge boss fixing	147
-------------------	-----