



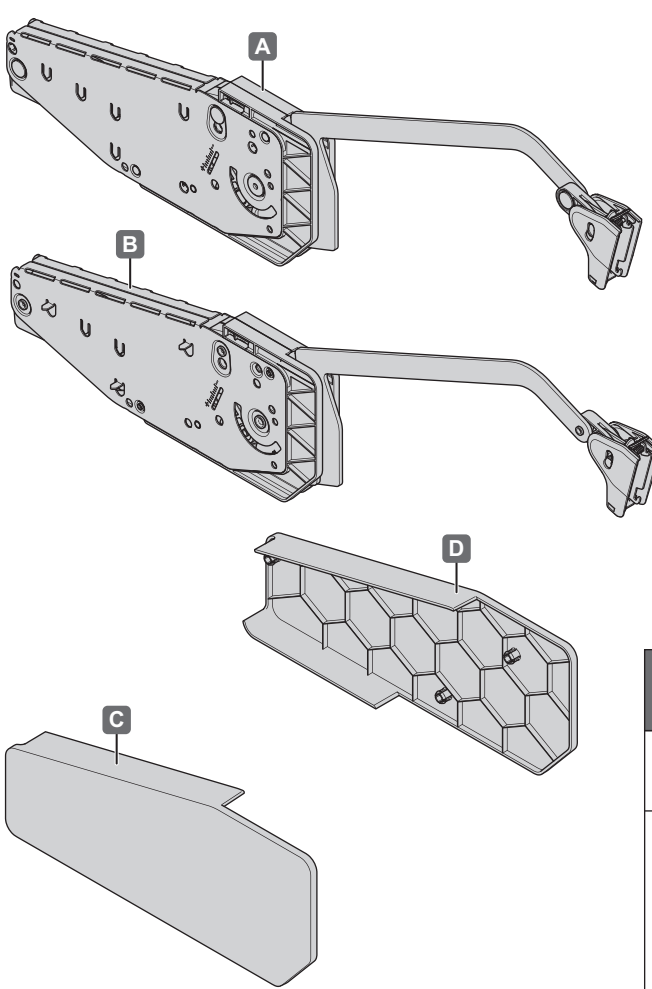


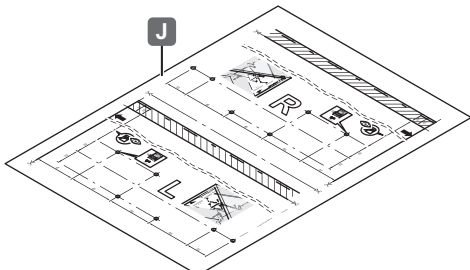
372.37.XXX

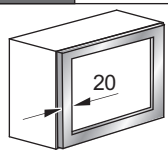
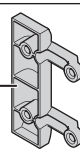
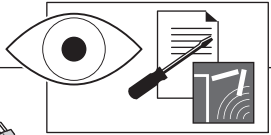




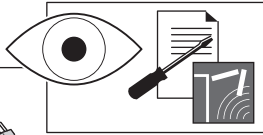
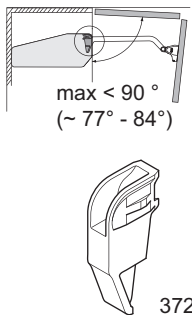
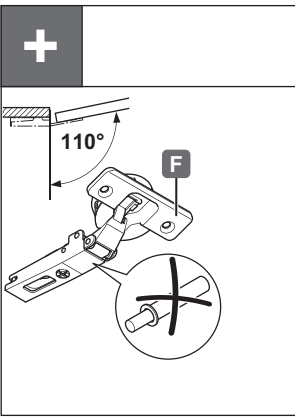
Free fold






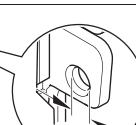





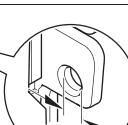



+	 <p>20</p>	 <p>2x H</p>
	 <p>E 2x</p>	 <p>8x I</p> <p>4 x 8</p>
		 <p>372.37.044</p>

+	
	

+	 <p>110°</p> <p>F</p>
----------	---

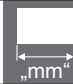
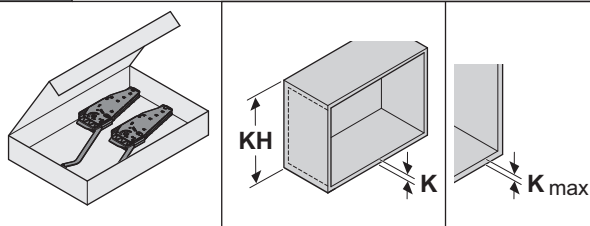
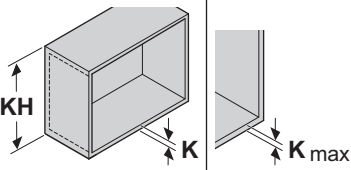
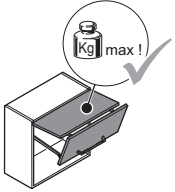
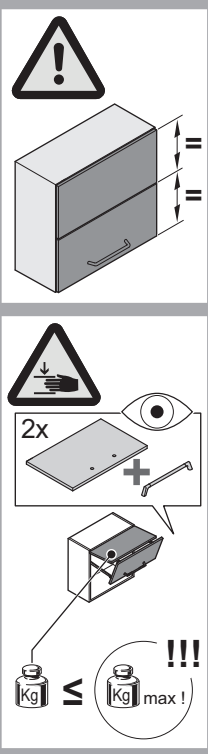
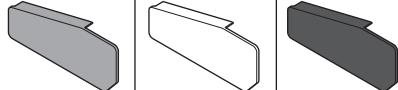
+	 <p>max < 90° (~ 77° - 84°)</p>
	 <p>372.37.060</p>

+	 <p>G</p>	 <p>ø4,2</p>	<p>372.64.796</p> 
		 <p>ø6,3</p>	<p>372.64.797</p>  <p>(Euro)</p>

732.23.016

12.0001.010.411.0000.00

HDE 22.11.2017

i							
							
	KH (FH): 450 - 480	16	2,8 - 5,7 kg	B1fo	372.37.500	372.37.700	372.37.325
			5,6 - 11,3 kg	B3fo	372.37.502	372.37.702	372.37.326
			8,3 - 16,3 kg	B4fo	372.37.503	372.37.703	372.37.327
	KH (FH): 480 - 530	21	2,6 - 5,2 kg	C1fo	372.37.510	372.37.710	372.37.300
			5,2 - 10,6 kg	C3fo	372.37.512	372.37.712	372.37.301
			7,8 - 15,1 kg	C4fo	372.37.513	372.37.713	372.37.302
	KH (FH): 520 - 590	36	2,4 - 4,9 kg	D1fo	372.37.520	372.37.720	372.37.303
			4,8 - 9,8 kg	D3fo	372.37.522	372.37.722	372.37.304
			7,2 - 14,1 kg	D4fo	372.37.523	372.37.723	372.37.305
	KH (FH): 580 - 650	50	11,8 - 23,3 kg	D5fo	372.37.524	372.37.724	372.37.328
			2,2 - 4,4 kg	E1fo	372.37.530	372.37.730	372.37.306
			4,3 - 8,8 kg	E3fo	372.37.532	372.37.732	372.37.307
	KH (FH): 650 - 730	59	6,0 - 12,2 kg	E4fo	372.37.533	372.37.733	372.37.308
			10,6 - 20,9 kg	E5fo	372.37.534	372.37.734	372.37.309
			1,9 - 4,0 kg	F1fo	372.37.540	372.37.740	372.37.329
KH (FH): 710 - 790	59	3,9 - 7,9 kg	F3fo	372.37.542	372.37.742	372.37.310	
		5,8 - 11,6 kg	F4fo	372.37.543	372.37.743	372.37.311	
		9,5 - 18,7 kg	F5fo	372.37.544	372.37.744	372.37.312	
KH (FH): 770 - 840	69	3,5 - 7,2 kg	G3fo	372.37.552	372.37.752	372.37.313	
		5,2 - 10,3 kg	G4fo	372.37.553	372.37.753	372.37.314	
		8,7 - 17,2 kg	G5fo	372.37.554	372.37.754	372.37.315	
KH (FH): 840 - 910	69	3,2 - 6,7 kg	H3fo	372.37.562	372.37.762	372.37.330	
		4,9 - 9,8 kg	H4fo	372.37.563	372.37.763	372.37.316	
		8,0 - 15,5 kg	H5fo	372.37.564	372.37.764	372.37.317	
KH (FH): 910 - 970	79	12,5 - 20,9 kg	H6fo	372.37.565	372.37.765	372.37.332	
		4,5 - 9,0 kg	I4fo	372.37.573	372.37.773	372.37.318	
		7,3 - 14,6 kg	I5fo	372.37.574	372.37.774	372.37.319	
KH (FH): 960 - 1010	84	10,0 - 20,0 kg	I6fo	372.37.575	372.37.775	372.37.333	
		4,2 - 8,0 kg	J4fo	372.37.583	372.37.783	372.37.320	
		6,8 - 13,5 kg	J5fo	372.37.584	372.37.784	372.37.321	
KH (FH): 1000 - 1040	89	9,5 - 17,9 kg	J6fo	372.37.585	372.37.785	372.37.334	
		3,9 - 7,6 kg	K4fo	372.37.593	372.37.793	372.37.322	
		6,5 - 12,8 kg	K5fo	372.37.594	372.37.794	372.37.323	
KH (FH): 1000 - 1040	89	8,6 - 17,3 kg	K6fo	372.37.591	372.37.791	372.37.335	
		3,7 - 7,3 kg	L4fo	372.37.598	372.37.798	372.37.331	
		6,2 - 12,3 kg	L5fo	372.37.599	372.37.799	372.37.324	
KH (FH): 1000 - 1040	89	8,1 - 16,0 kg	L6fo	372.37.596	372.37.796	372.37.336	

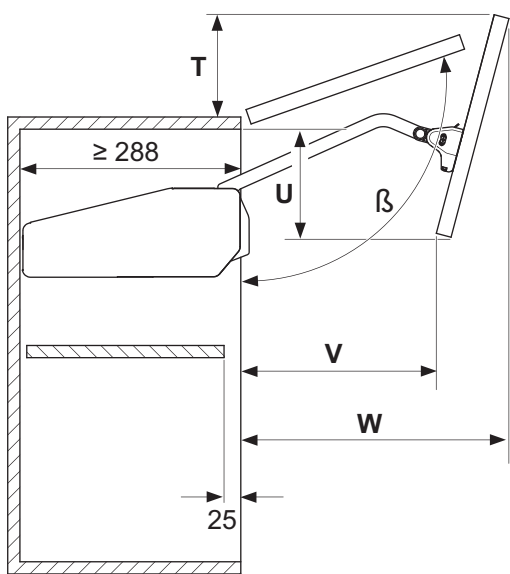
732.23.016

12.0001.010.411.0000.00

HDE 22.11.2017

i

„mm“



$$Y = (Q \times KH) - R - K$$

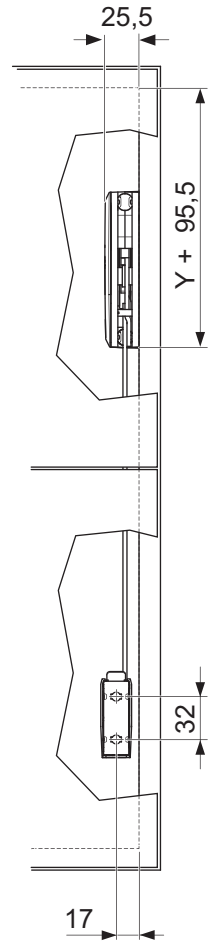
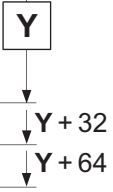
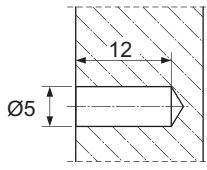
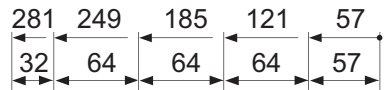
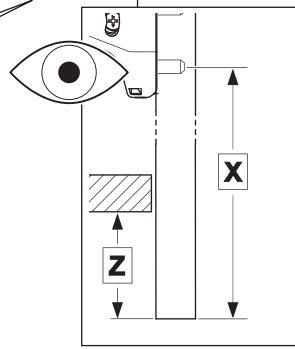
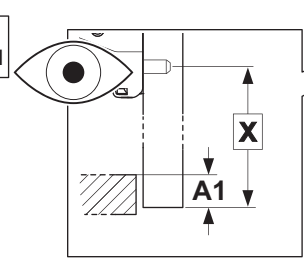
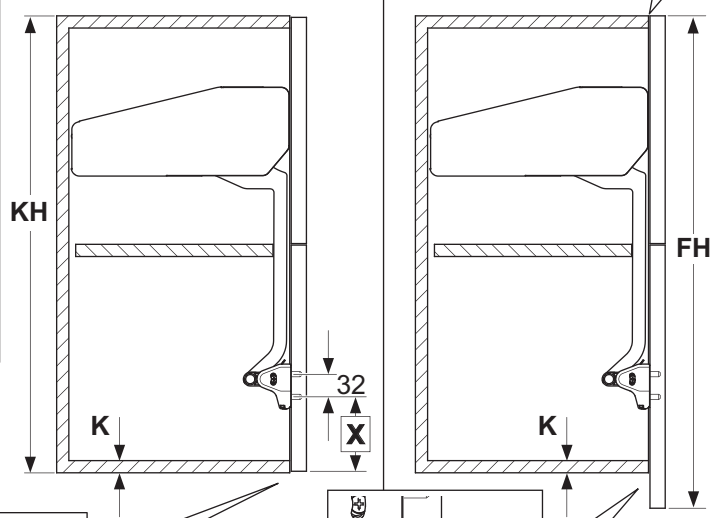
$$X = KH - Y - S - (2 \times K) + A1$$

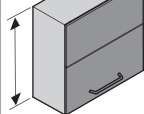
i

$$Y = (Q \times FH) - R - A1$$

$$X = FH - Y - S - A1$$

$$Z < K_{max} - K$$



	β [°]	Q	R	S	T	U	V	W
450-480	~107-98	1,0	349	313	94-49	93-128	196-180	315-343
480-530	~107-96	1,1	426	328	100-37	100-155	203-186	328-370
520-590	~107-93	1,1	466	347	106-23	112-184	213-190	347-401
580-650	~108-95	1,2	589	377	119-40	126-197	227-207	375-430
650-730	~107-94	1,2	664	409	124-38	147-224	238-215	411-470
710-790	~108-95	1,2	736	439	136-46	161-233	250-219	439-500
770-840	~108-95	1,0	644	467	146-43	179-223	267-200	466-527
840-910	~108-98	1,2	882	501	154-70	195-248	272-231	502-559
910-970	~107-98	1,1	865	533	160-78	214-246	282-225	536-588
960-1010	~107-100	1,1	915	557	170-99	228-251	295-240	560-605
1000-1040	~107-102	1,1	954	576	177-120	239-256	306-256	578-616

732.23.016

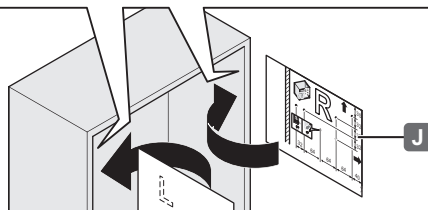
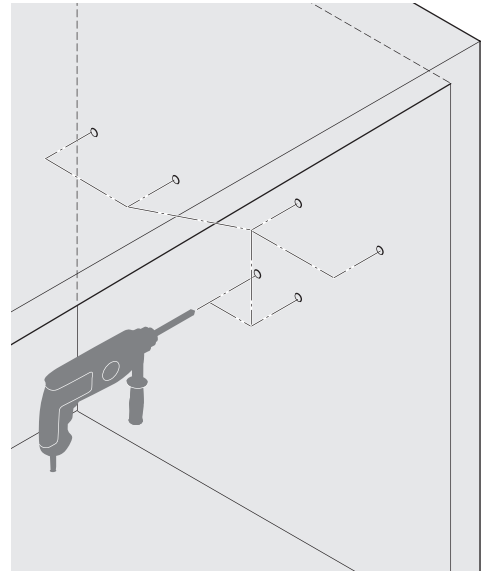
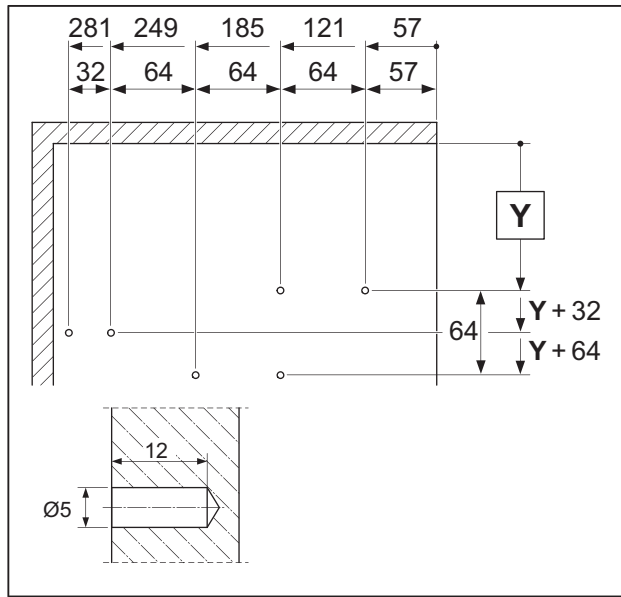
12.0001.010.411.0000.00

HDE 22.11.2017

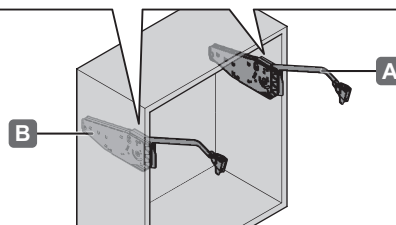
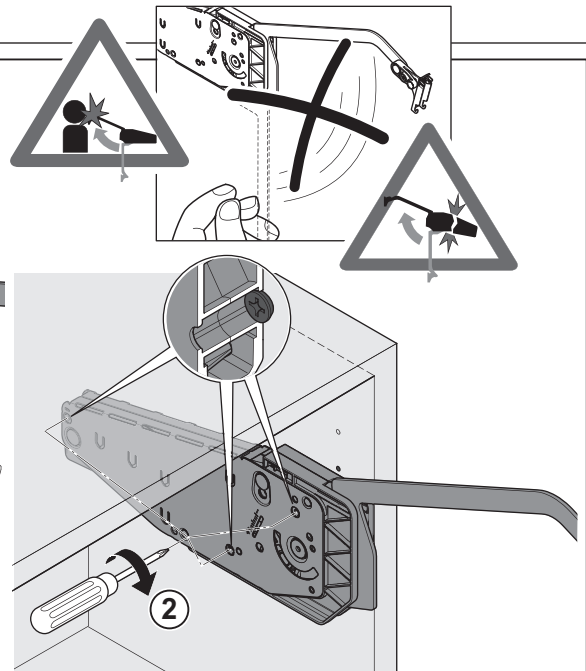
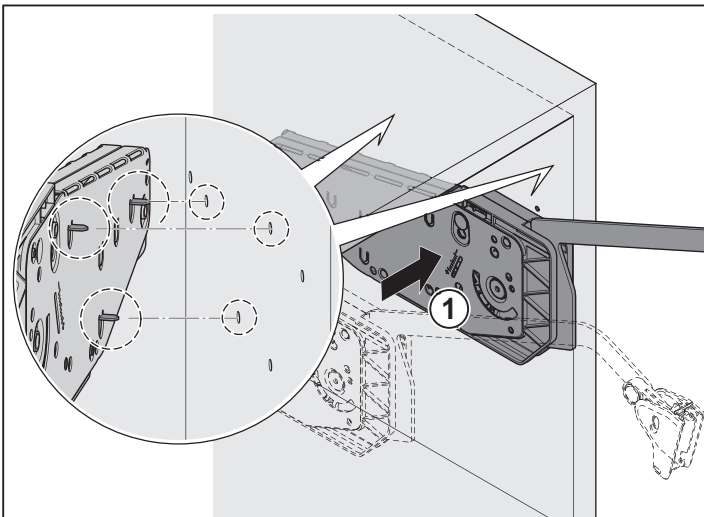
1



„mm“



2

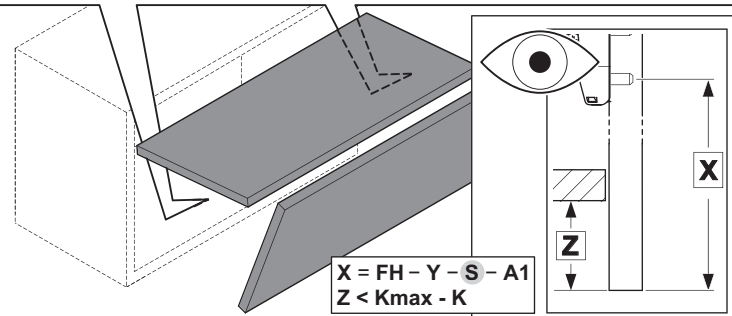
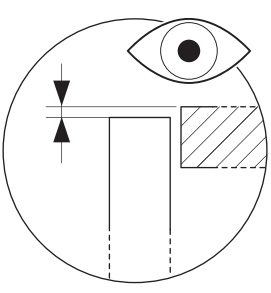
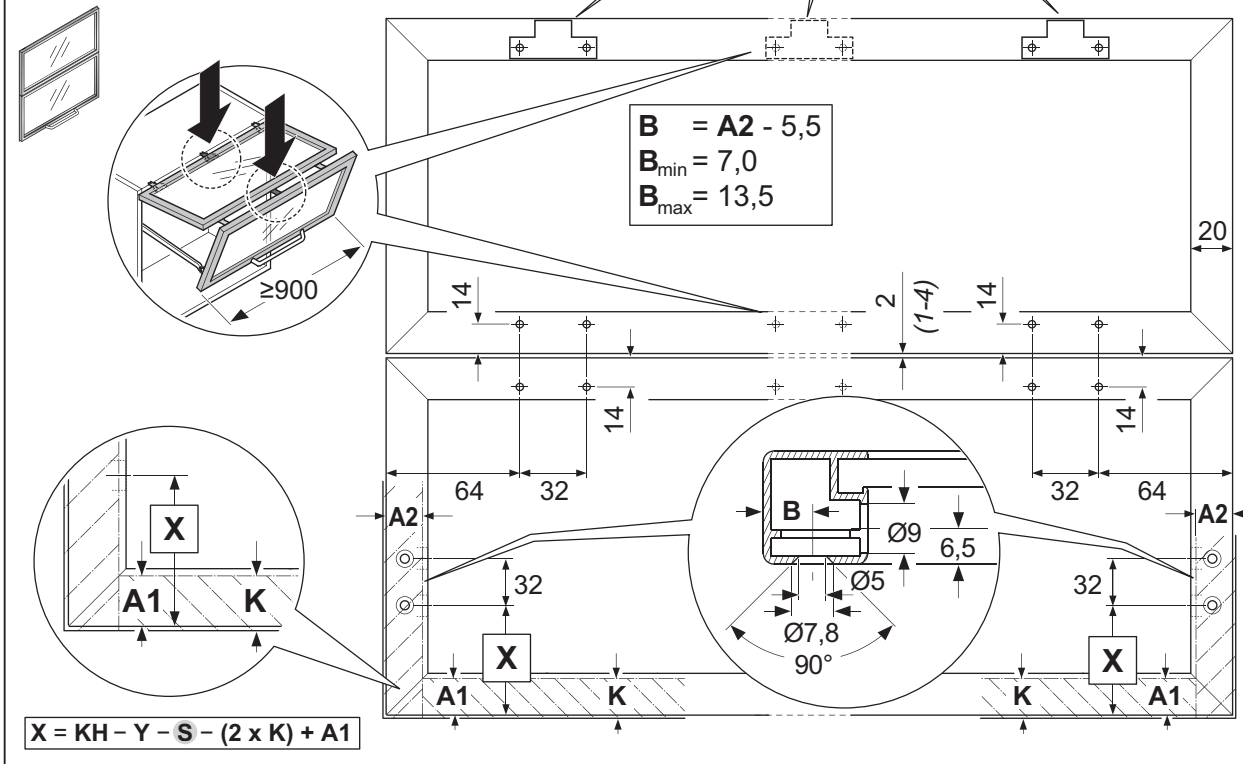
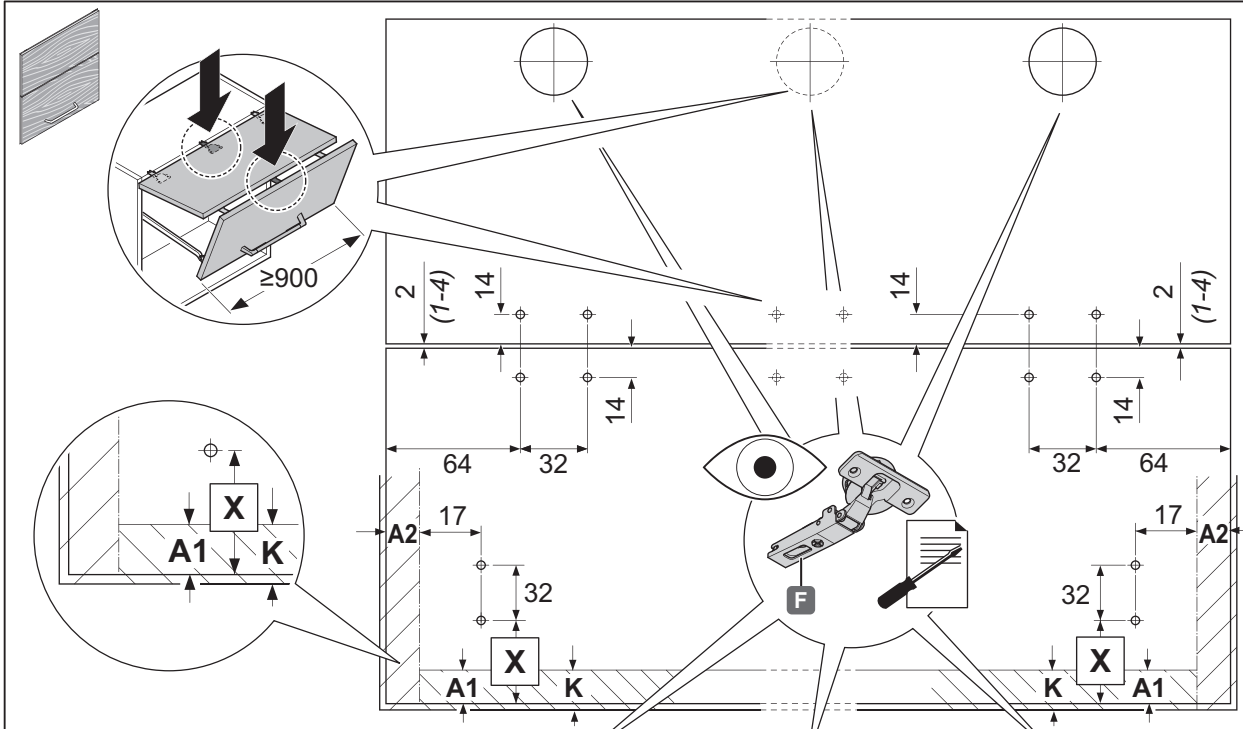


732.23.016

12.0001.010.411.0000.00

HDE 22.11.2017

3

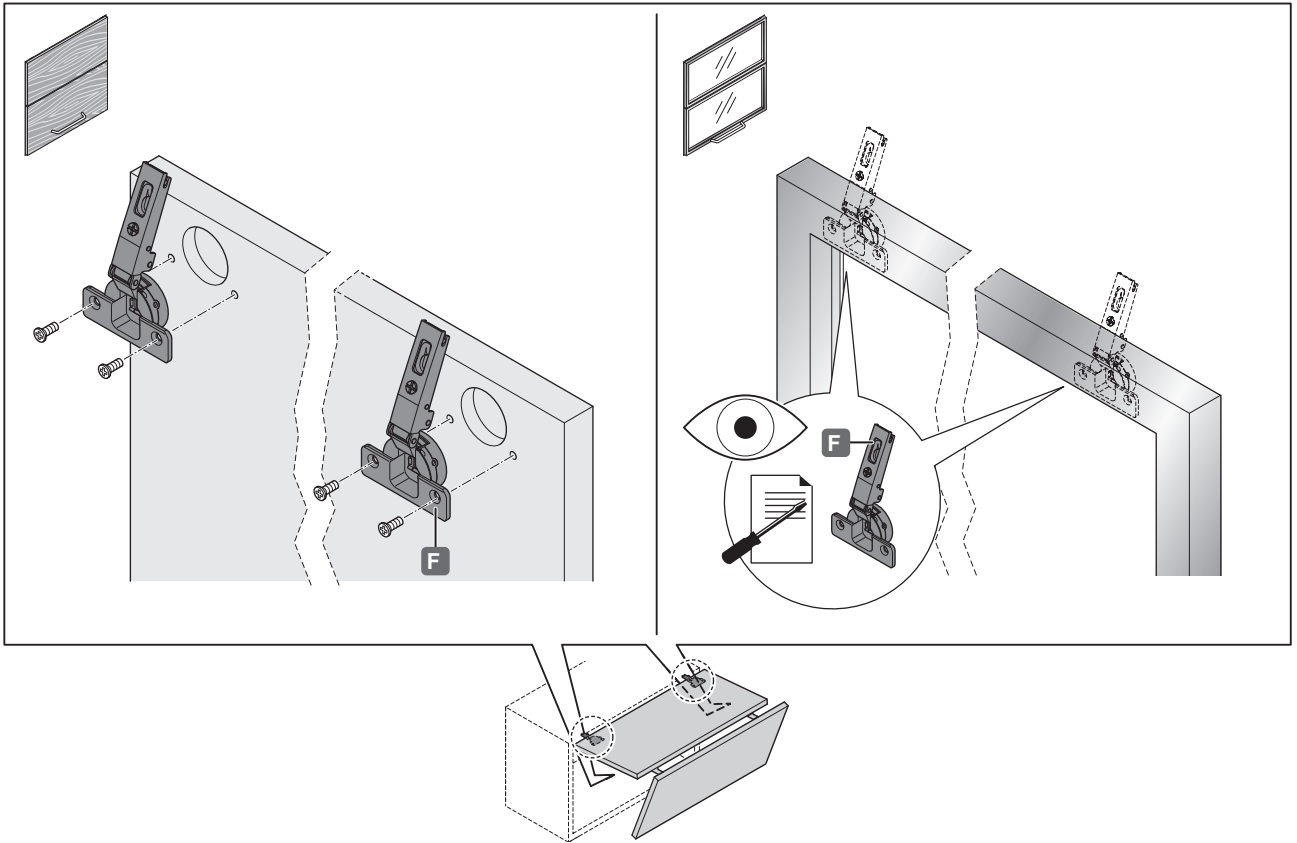


732.23.016

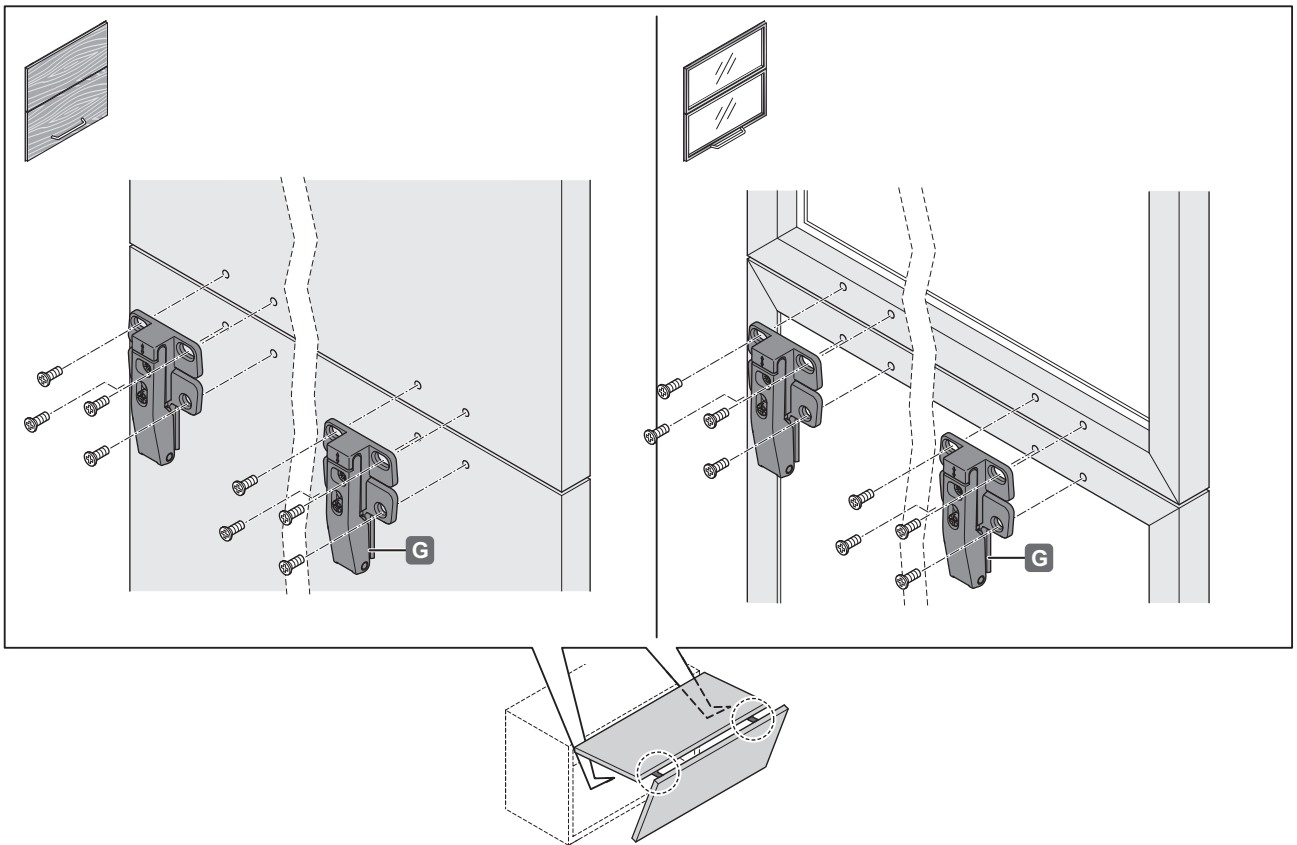
12.0001.010.411.0000.00

HDE 22.11.2017

4



5

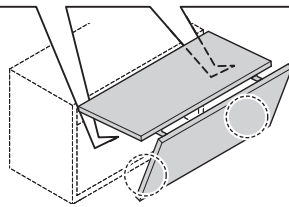
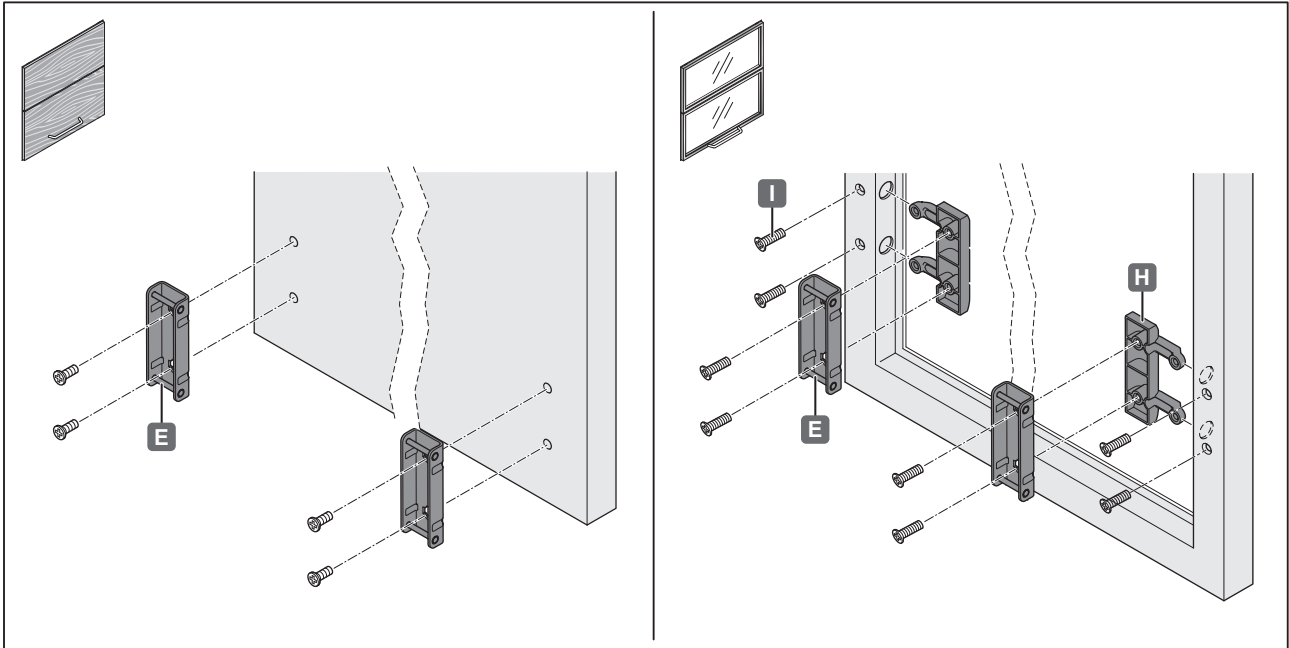


732.23.016

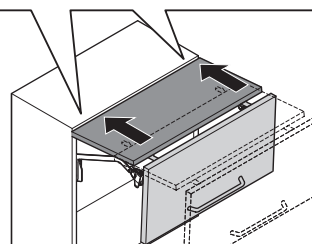
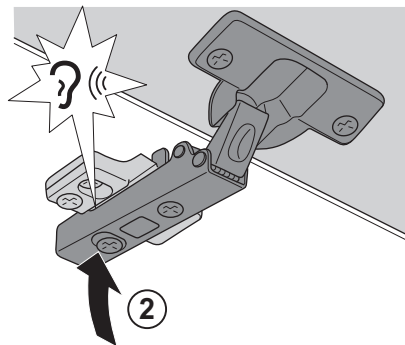
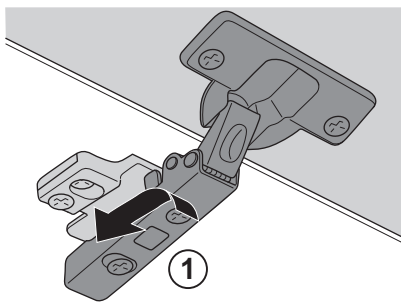
12.0001.010.411.0000.00

HDE 22.11.2017

6



7

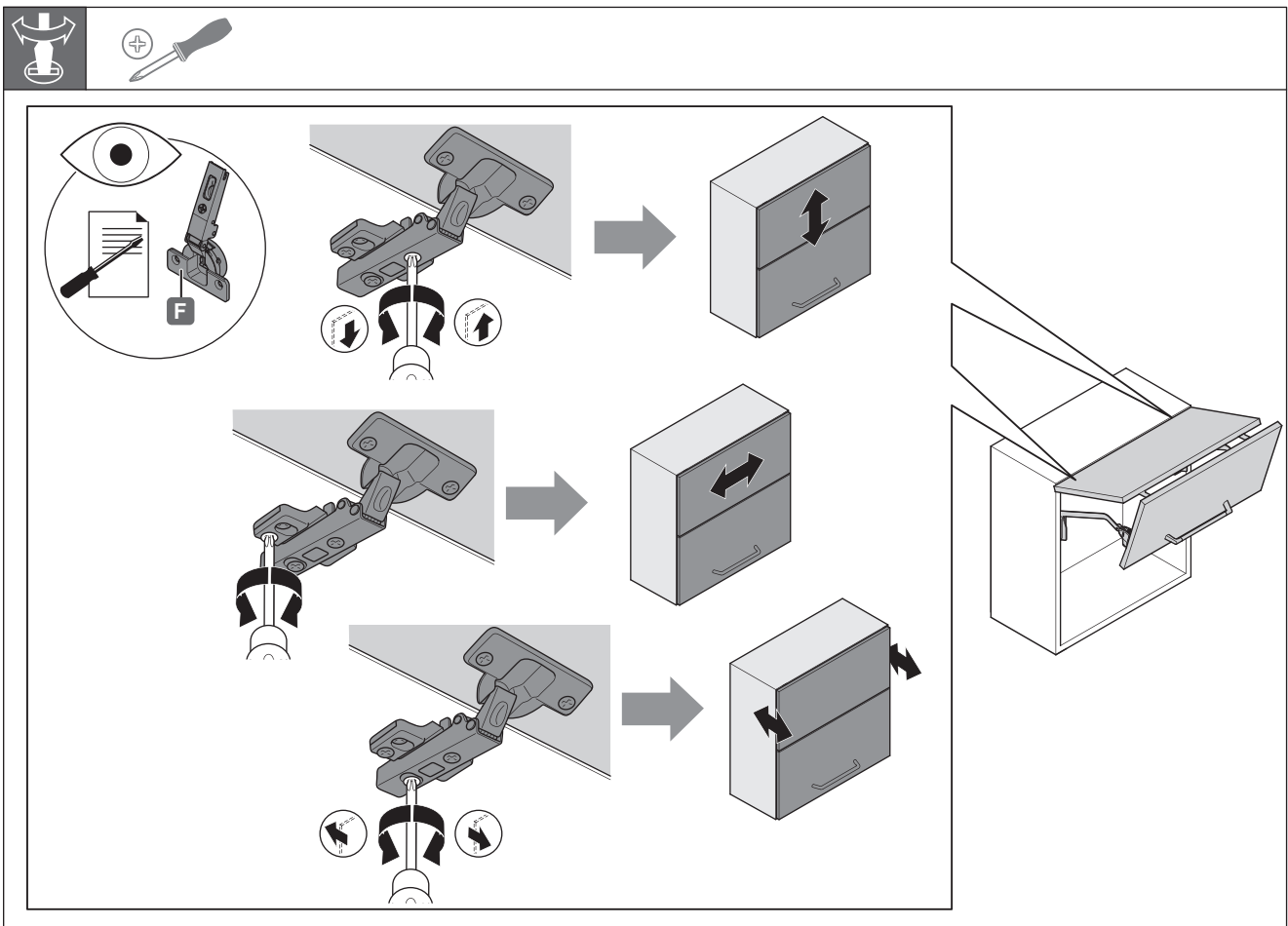
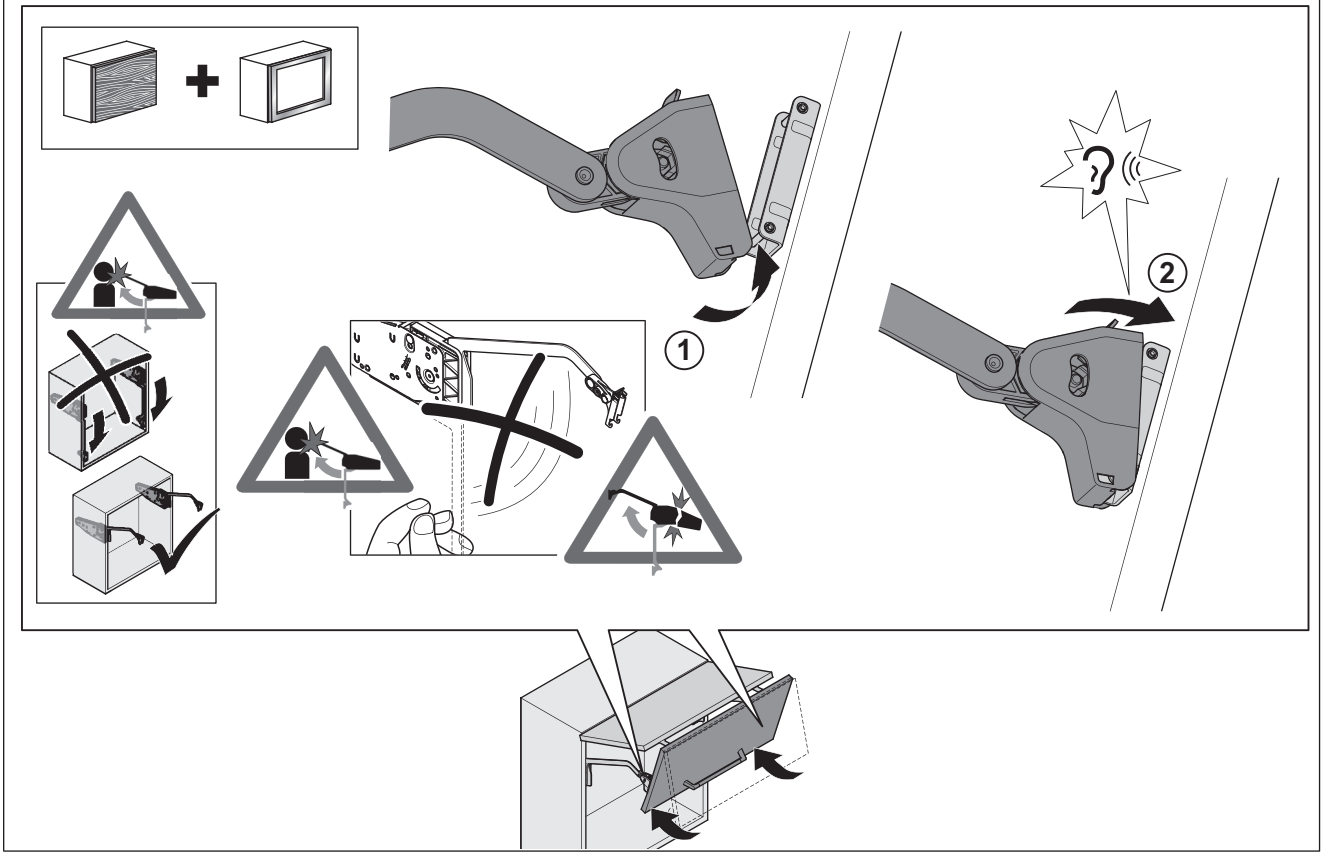


732.23.016

12.0001.010.411.0000.00

HDE 22.11.2017

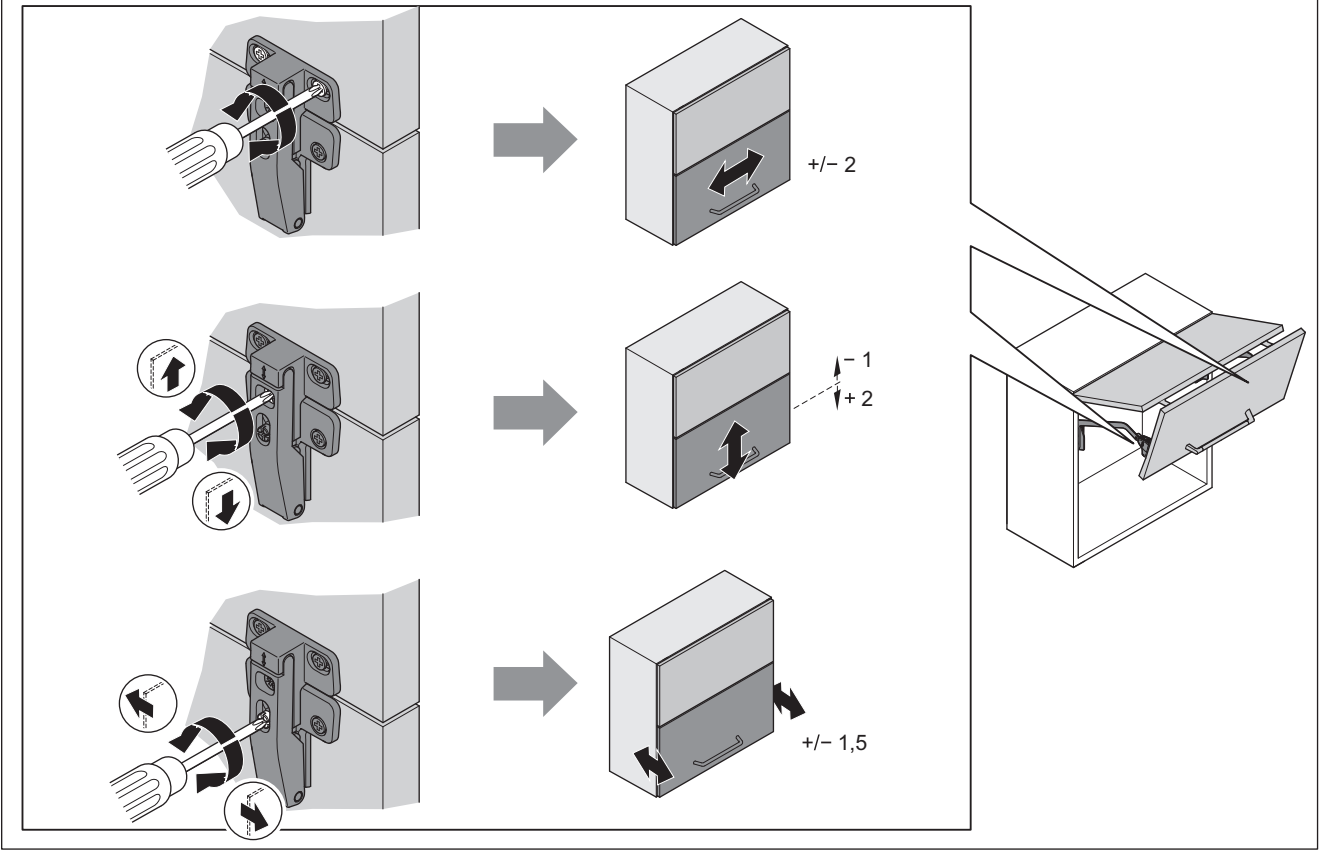
8



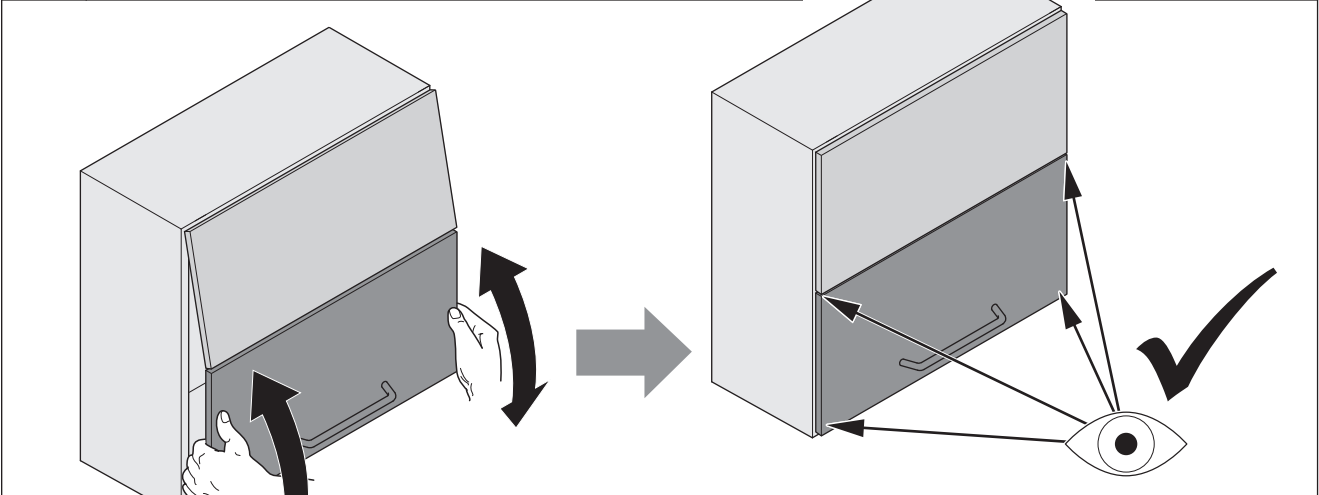
732.23.016

12.0001.010.411.0000.00

HDE 22.11.2017

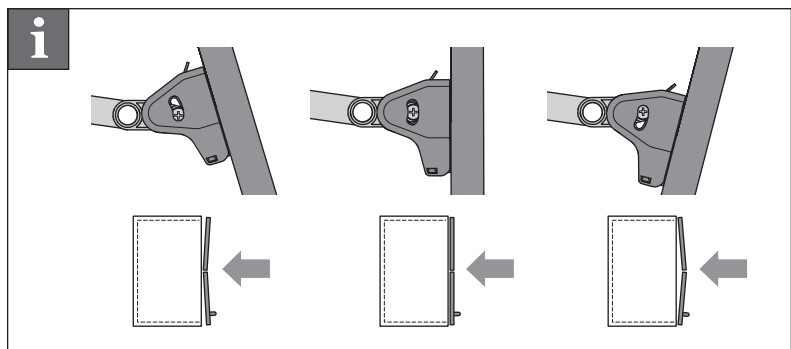


732.23.016

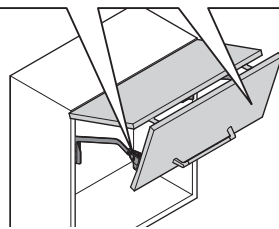
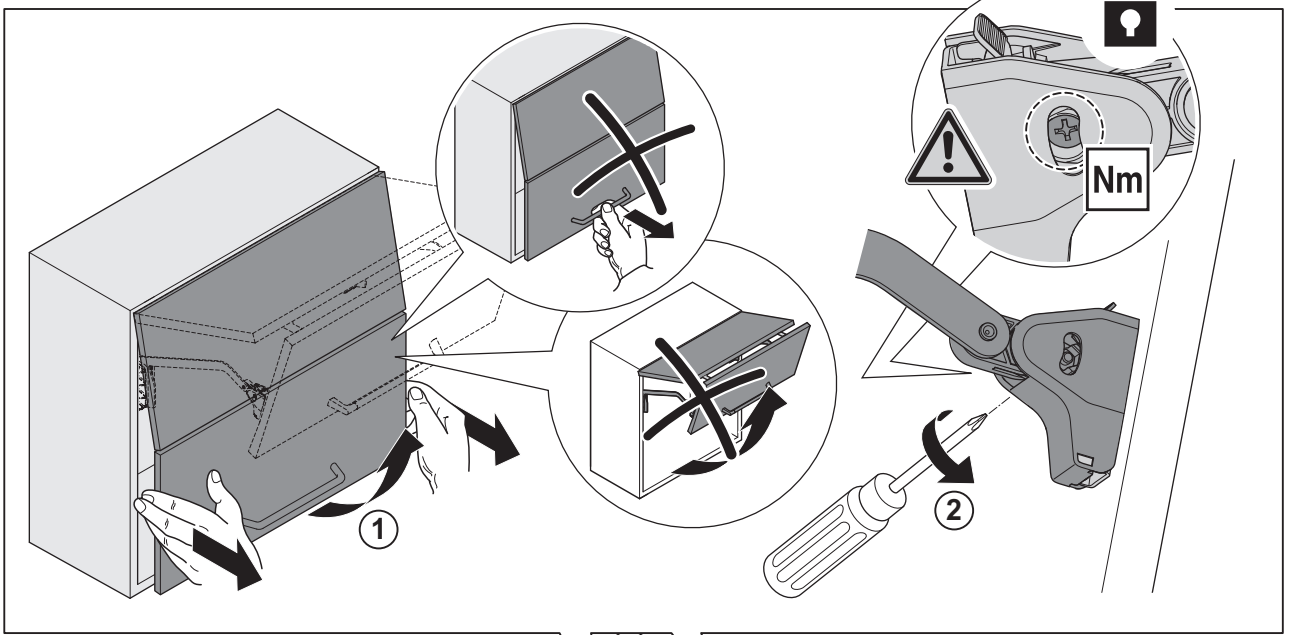


12.0001.010.411.0000.00

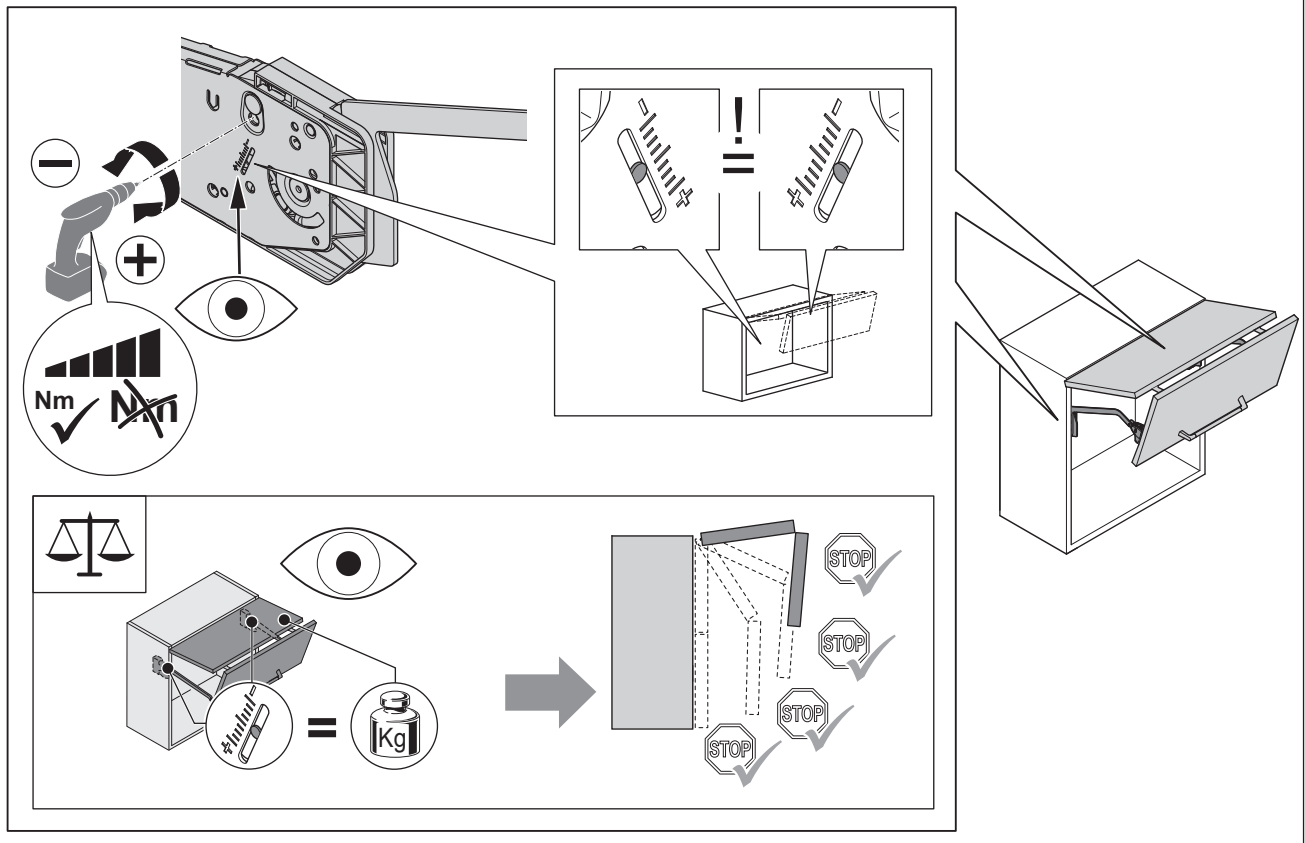
HDE 22.11.2017



9



PZ2

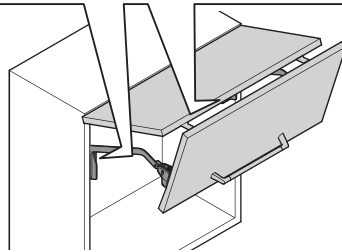
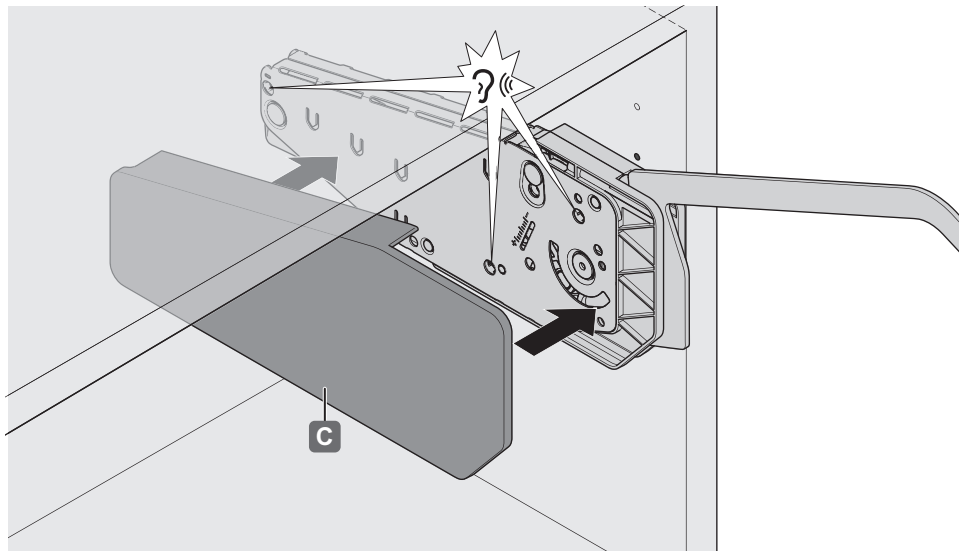


732.23.016

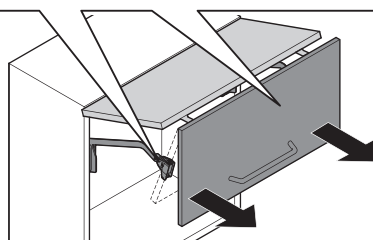
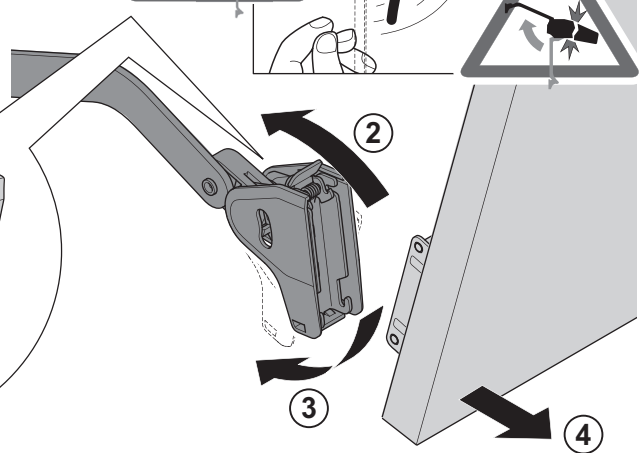
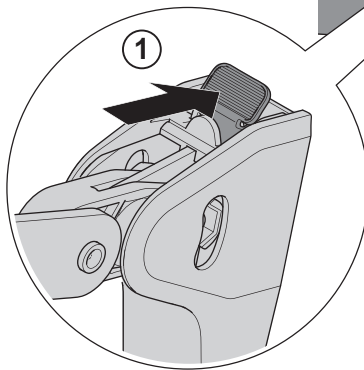
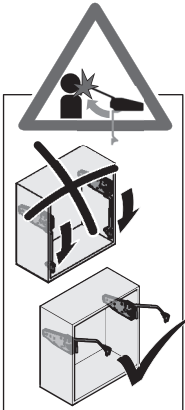
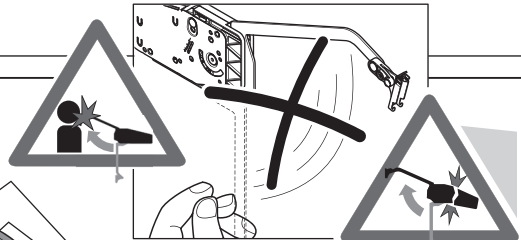
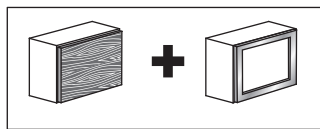
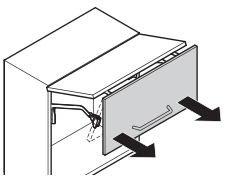
12.0001.010.411.0000.00

HDE 22.11.2017

10



i

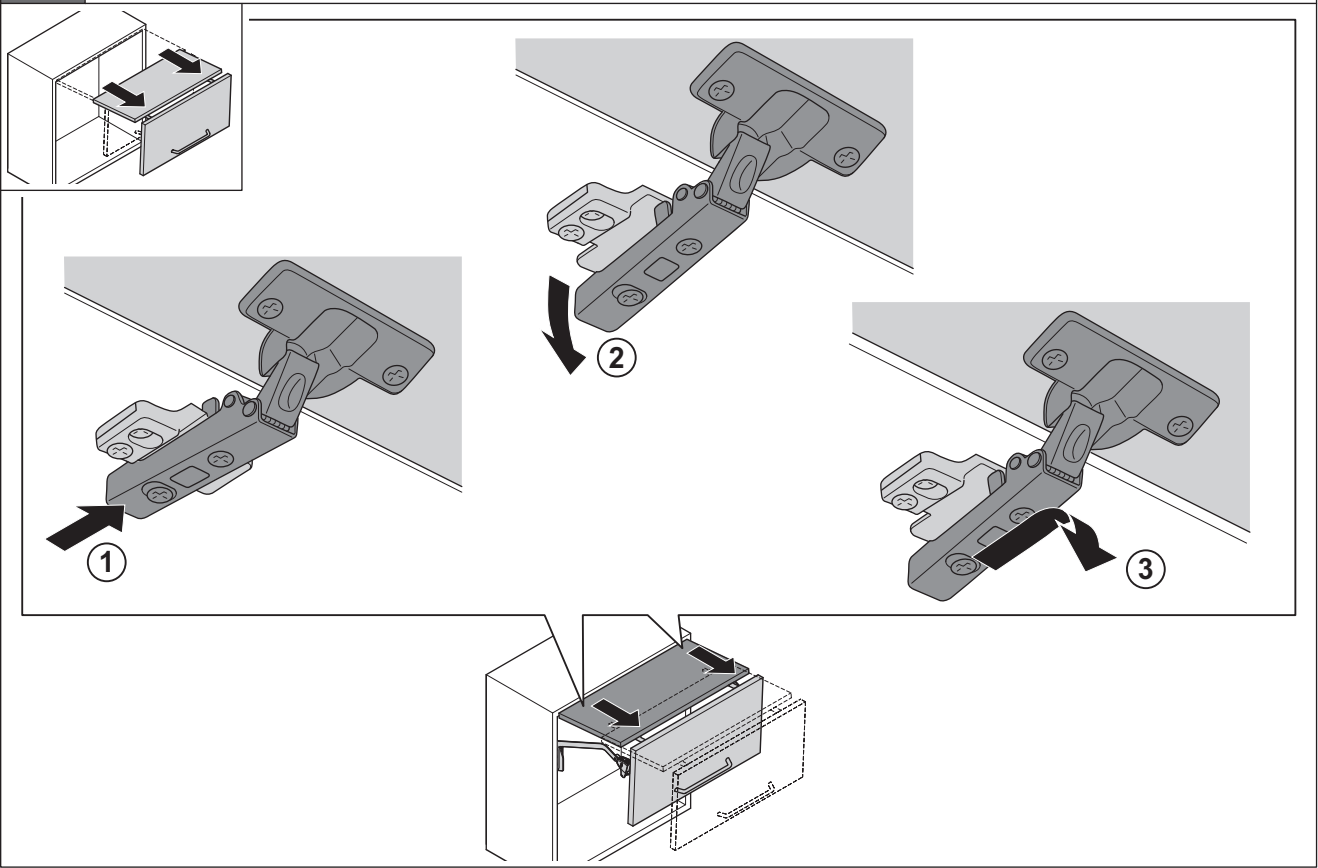


732.23.016

12.0001.010.411.0000.00

HDE 22.11.2017

i



732.23.016

12.0001.010.411.0000.00

HDE 22.11.2017