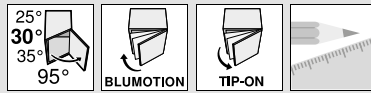


# Hinge systems



- ▶ CLIP top BLUMOTION | CLIP top – hinges
- ▶▶ Angled application – standard



Hinge systems

## +30° III – angled hinge full overlay



- CLIP top BLUMOTION with integrated BLUMOTION (with deactivation option)
- CLIP top without closing mechanism (spring)
- All metal hinge
- +30° III angled hinge
- 95° opening angle
- 3-dimensional front adjustment
- Convenient spiral-tech depth adjustment
- Tool-free door to cabinet assembly and removal
- With INSERTA tool-free hinge to door assembly

Webcode

DQDU2M

### Page instructions

WA	Angle		
	25°	30°	35°
	N° 20	N° 21	N° 22
	144	145	145
	N° 50	N° 51	N° 52
	144	145	145
	N° 5	N° 6	N° 7
	149	145	145
	N° 40	N° 41	N° 42
	146	146	146
	N° 57	N° 58	N° 59
	144	145	145

Overview – angled applications

WA Angled application

136

### Order information

Boss		INSERTA	
Hinge	Spring	Colour	Part no.
CLIP top		NI	79B9496
BLUMOTION	●	NI	Nickel plated
●	With spring	NI	Nickel plated
○	Unsprung		

Boss		Screw-on	
Hinge	Spring	Colour	Part no.
CLIP top		NI	79B9456
BLUMOTION	●	NI	78A9456.T
CLIP top	○	NI	

a Accessories			
Hinge arm cover cap		Hinge boss cover cap	
Print   Stamp	Logo	Colour	Part no.
Plain	–	NI	70.1553
Screen print	Blum	NI	70.1553.BL

Hinge		Hinge boss cover cap	
Hinge	Colour	Part no.	
CLIP top	NI	70T3504	
BLUMOTION	NI	70T1504	
CLIP top	NI	70T1504	

TIP-ON for doors		
Version	Spring	Part no.
Short version	○	956.1004
Extended version	○	956A1004
Extended version	●	956A1006

Chipboard screws		
Ø (mm)	Length (mm)	Part no.
3.5	15	609.1500
3.5	17	609.1700

### Note

CLIP top BLUMOTION and CLIP top hinges cannot be combined with each other on a front.

### Page instructions

Overview – CLIP top BLUMOTION   CLIP top – hinges	93
Mounting plates	172
Accessories – hinge arm cover cap	181
Accessories – general	182

Overview – TIP-ON for doors	199
Overview – assembly devices	595
More technical details	686

### Assembly, removal and adjustment



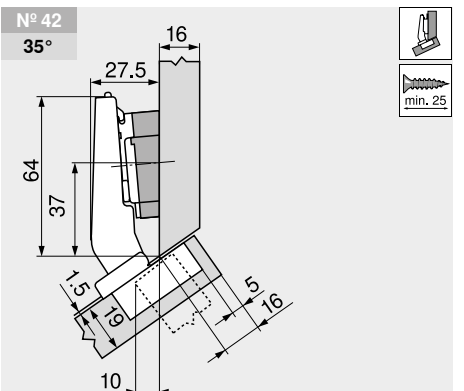
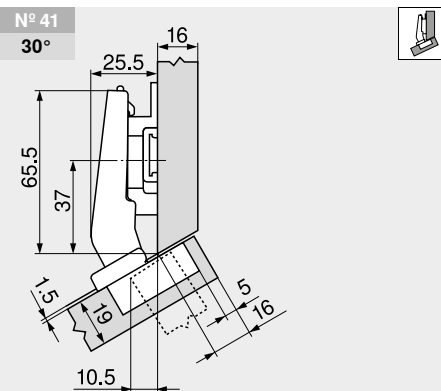
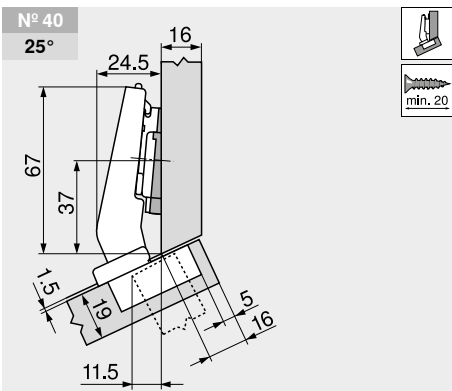
Short-URL

[www.blum.com/a210](http://www.blum.com/a210)

### Planning

#### Note

These dimensions are based on the factory setting. The application changes in cases of deviation. In these cases a trial is recommended. Some applications require the mounting plate to be moved from the standard fixing positions.



Description	Spacing (mm)	Part no.
Mounting plate	0	173H7100
Angled spacer	-5°	171A5500

Description	Spacing (mm)	Part no.
Mounting plate	6	175H9160

Description	Spacing (mm)	Part no.
Mounting plate	0	173H7100
Angled spacer	+5°	171A5070