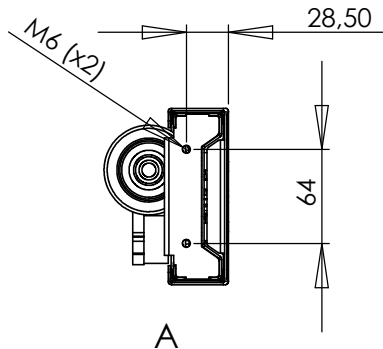
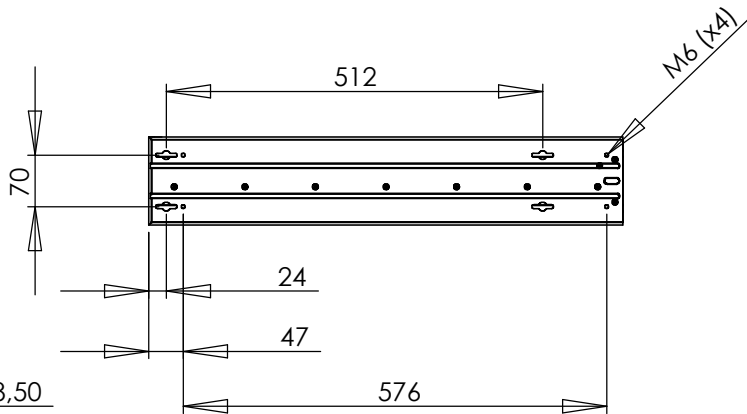
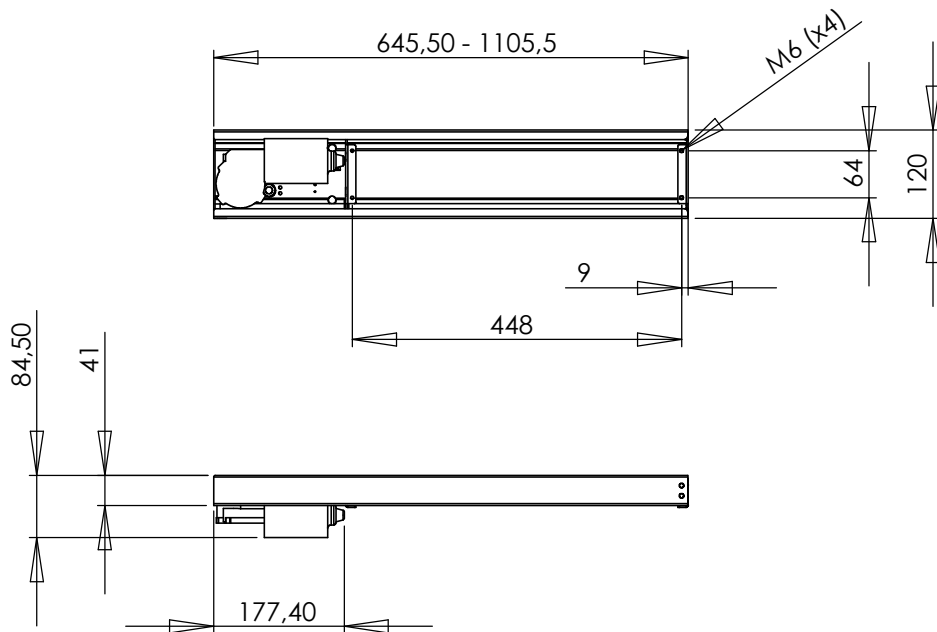
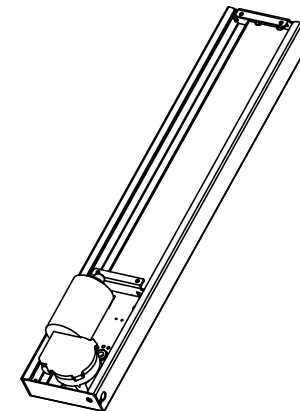



A



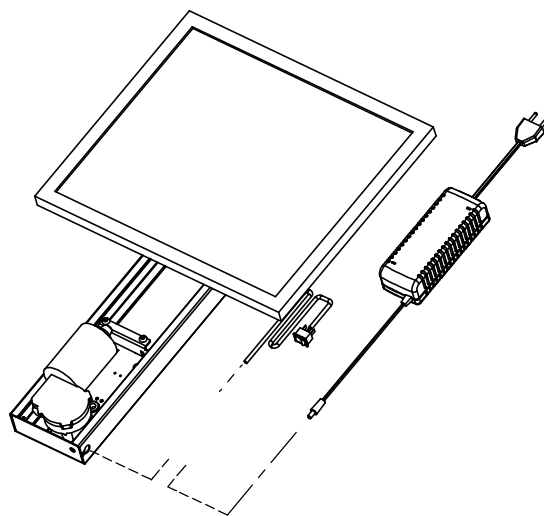
A



UNLESS OTHERWISE SPECIFIED DIMENSIONS ARE IN MM TOLERANCES ARE: According to DIN 7168-m	MATERIAL SPECIFICATION:	ConSet A/S <small>Staalvej 14-16 6900 Skjern Denmark</small>

 MATERIAL FINISH	PROCES SPECIFICATION:	TS460 assembly

DO NOT SCALE DRAWING	DRAWN JO	CHECKED GL
	DATE 070730	
		10962x
		REV. 0



UNLESS OTHERWISE SPECIFIED
DIMENSIONS ARE IN MM
TOLERANCES ARE:
According to DIN 7168-m



MATERIAL

FINISH

DO NOT SCALE DRAWING

MATERIAL SPECIFICATION:

PROCES SPECIFICATION:

DRAWN	CHECKED	DATE
JO	GL	031025

ConSet A/S Staalvej 14-16
6900 Skjern
Denmark

REV.
0