
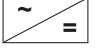


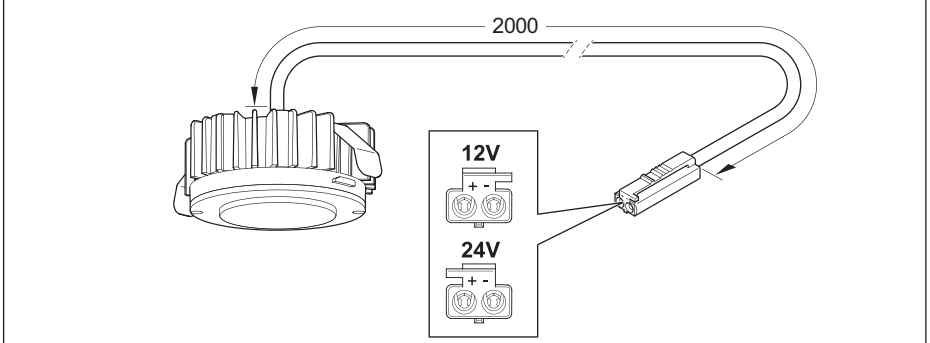


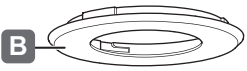
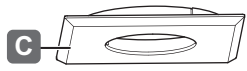




LED 2090 LED 3090

833.72.470	833.75.170
833.72.471	833.75.171
833.72.472	833.75.172
833.72.473	833.75.173


12 V System	24 V System	K	W		T _A	
833.72.470	2700 K	1.2 W	Ø 24 x 14.5	-20 °C – +45 °C -4 °F – +113 °F	Loox 12 V	
833.72.471	3000 K					
833.72.472	4000 K					
833.72.473	5000 K					
833.75.170	2700 K					
833.75.171	3000 K					
833.75.172	4000 K					
833.75.173	5000 K	Loox 24 V				


732.28.335

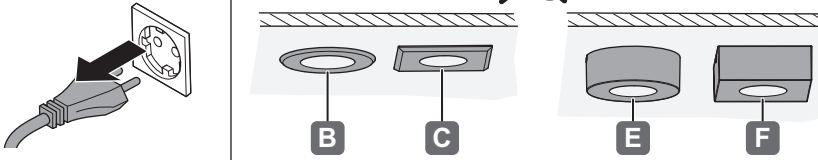


 <p>B</p>	<p>833.89.222 </p> <p>833.89.223 </p> <p>833.89.224 </p> <p>833.89.225 </p> <p>833.89.226 </p> <p>833.89.227 </p> <p>833.89.228 </p>	 <p>C</p>	<p>833.89.229 </p> <p>833.89.230 </p> <p>833.89.231 </p> <p>833.89.232 </p> <p>833.89.233 </p> <p>833.89.234 </p> <p>833.89.235 </p>		
	 <p>E</p>		<p>833.89.236 </p> <p>833.89.237 </p> <p>833.89.238 </p> <p>833.89.239 </p> <p>833.89.240 </p> <p>833.89.241 </p> <p>833.89.242 </p>	 <p>F</p>	<p>833.89.243 </p> <p>833.89.244 </p> <p>833.89.245 </p> <p>833.89.246 </p> <p>833.89.247 </p> <p>833.89.248 </p> <p>833.89.249 </p>
			<p>2x D </p>		<p>2x D </p>

HDE 25.03.2019

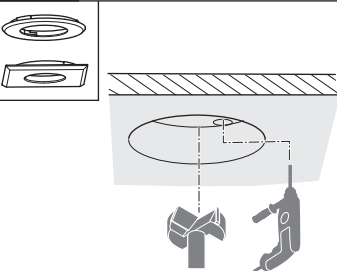
i  „mm“

 100 - 240 V~

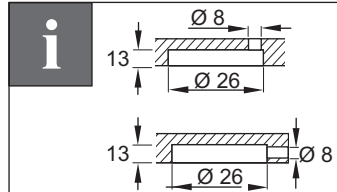


B **C** **E** **F**

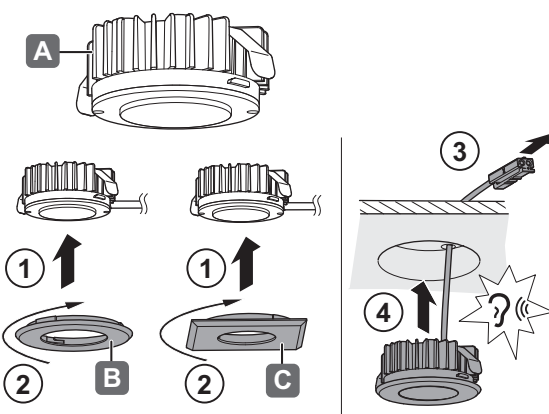
1A  26 mm 8 mm „mm“



i



$\varnothing 8$
13
 $\varnothing 26$
13
 $\varnothing 26$ $\varnothing 8$



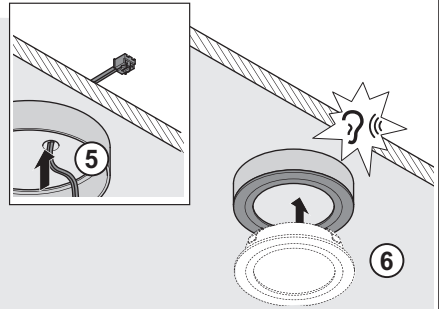
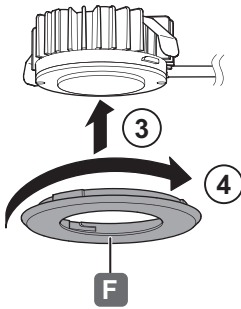
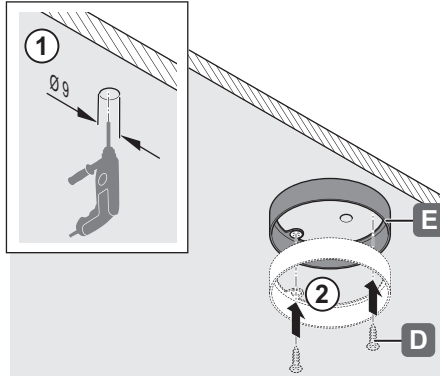
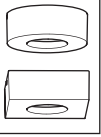
A

1 2 **B** 1 2 **C** 3 4 ?

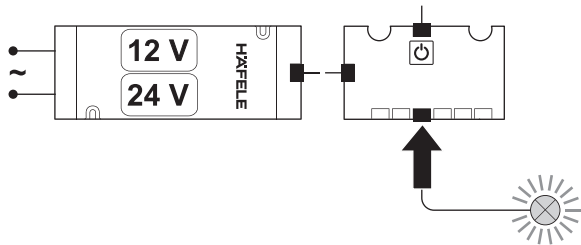
732.26.335

HDE 25.03.2019

1B



2



732.28.335

HDE 25.03.2019

732.28.335

HDE 25.03.2019